

SMIT BRACKET TOWING GUIDANCE

THE NETHERLANDS



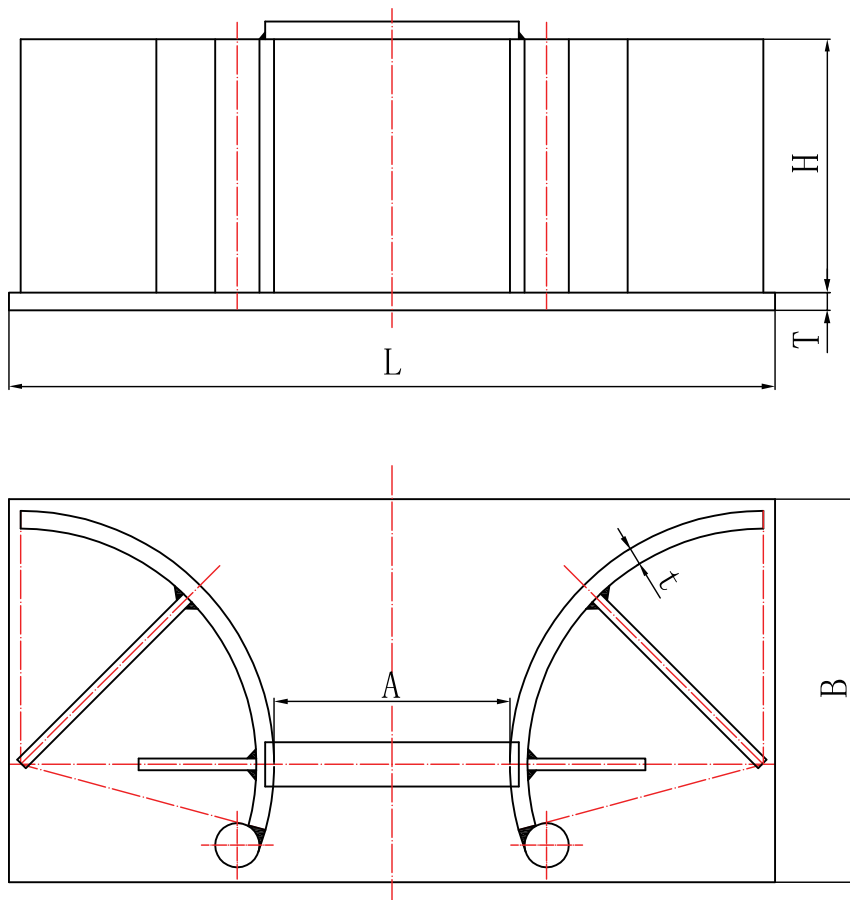
MARINE EQUIPMENT SERVICES

Smit Bracket Towing Guidance

Smit Bracket Towing Guidance

Type	Rope Dia. (mm)	Dimensions (mm)						Mass (kgs)	SWL (KN)
		A	B	L	H	T	t		
38	38-40	180	470	860	300	25	20	190	500
50	50-54	220	500	910	320	25	25	230	1000
62	62-64	360	500	1050	350	25	25	268	1500
76	76-78	400	650	1300	430	30	30	510	2000
80	80-84	440	712	1424	450	32	32	623	2250
86	86-90	460	730	1444	450	32	32	644	2500
97	97-102	500	760	1490	450	35	35	728	3000
104	104-114	600	760	1590	450	35	35	762	3500

Smit Bracket Towing Guidance



MARINE EQUIPMENT SERVICES B.V.

Phone +31 (0)183 50 20 52, Cellphone: +31 (0) 653 266 524, Fax +31 (0)183 50 16 38
 E-mail jvm@mestrading.com - Internet www.mestrading.com



New building
Workboats TH 40
Tomboy 22 & 26



Swivelhead Fairleads
from 18mm up to
76 mm



Electrical and
hydraulic driven
Capstans from
1-20 ton



Hydraulic winches
from 5 up to 20 ton



4Persons TLQ
accommodation
units



5 x 60 ton hydraulic
single drum winches



Universal Roller
Fairleads from
FA4-12 up to
FA4-52



Rubber fenders size
1200 x 2000mm



Diesel hydraulic
Powerpacks



Rubber fenders
with chain and
tyre netting



Universal Roller
Fairleads FA2 series



Complete range of
Deck and Bulwark
mounted Panama
Chocks



Steel anchor buoys
foam filled from
500kg up to 10000kg
buoyancy



EU Fairlead Rollers
from 150mm up to
450mm



Complete range of
MES Dolphin anchors
100kg up to 15,000kg



Complete range of
Smit Brackets
38mm (50t SWL)
114mm (350t SWL)



MARINE EQUIPMENT SERVICES B.V.

Hulsenboschstraat 23
4251 LR Werkendam
The Netherlands
VAT: NL812705233B01

Phone +31 183 502 052
Fax +31 183 501 638
Mobile +31 653 266 524
Chamber of Commerce: 11057411

www.mestrading.com