

# PADEYES TYPE "X" – "Y"

THE NETHERLANDS



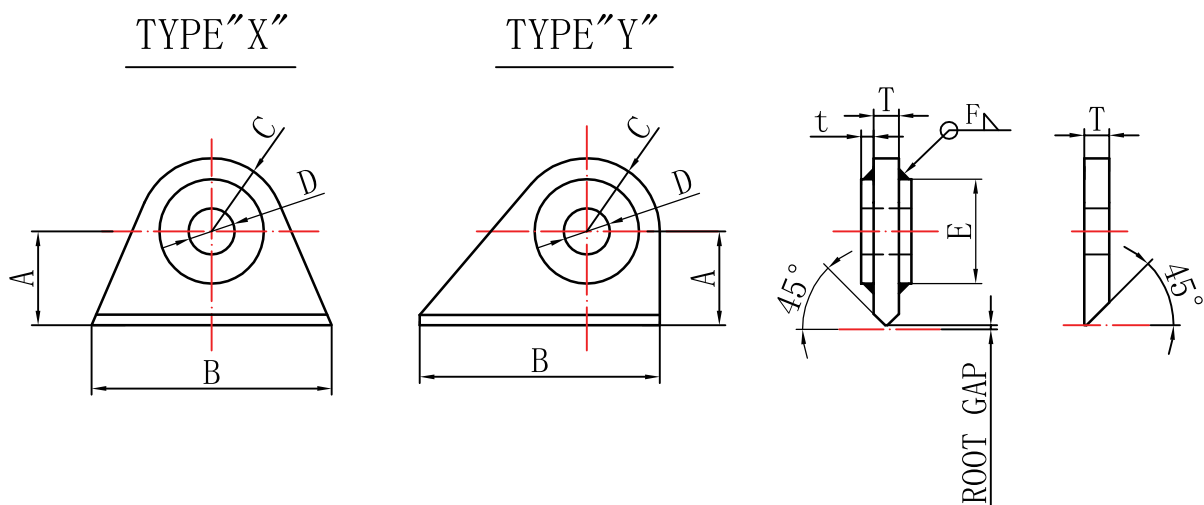
MARINE EQUIPMENT SERVICES

# Padeyes type "X" - "Y"

## Padeyes type "X" - "Y"

SHACKLE WLL (tonne)	Dimensions (mm)								
	A	B	C	D	WITHOUT CHK.PLS.	WITH CHK.PLS.	CHEEK PLATES		
					T	T	t	E	F
3.2	45	115	35	22	20	12	6	50	6
4.7	55	135	40	25	25	16	6	60	6
6.5	55	150	45	28	32	20	6	70	6
8.5	60	160	50	32	—	25	6	80	6
9.5	65	185	55	35	—	25	8	90	6
12	70	200	60	38	—	25	10	100	6
13	75	220	65	41	—	25	10	110	6
17	85	230	70	44	—	32	10	120	6
25	105	280	85	54	—	40	12	150	8
35	120	295	105	60	—	50	10	170	8
45	130	340	115	66	—	50	16	190	8
55	150	360	130	73	—	50	20	220	10

## Padeyes type "X" - "Y"



MARINE EQUIPMENT SERVICES B.V.

Phone +31 (0)183 50 20 52, Cellphone: +31 (0) 653 266 524, Fax +31 (0)183 50 16 38  
E-mail [jvm@mestrading.com](mailto:jvm@mestrading.com) - Internet [www.mestrading.com](http://www.mestrading.com)



New building  
Workboats TH 40  
Tomboy 22 & 26



Swivelhead Fairleads  
from 18mm up to  
76 mm



Electrical and  
hydraulic driven  
Capstans from  
1-20 ton



Hydraulic winches  
from 5 up to 20 ton



4Persons TLQ  
accommodation  
units



5 x 60 ton hydraulic  
single drum winches



Universal Roller  
Fairleads from  
FA4-12 up to  
FA4-52



Rubber fenders size  
1200 x 2000mm



Diesel hydraulic  
Powerpacks



Rubber fenders  
with chain and  
tyre netting



Universal Roller  
Fairleads FA2 series



Complete range of  
Deck and Bulwark  
mounted Panama  
Chocks



Steel anchor buoys  
foam filled from  
500kg up to 10000kg  
buoyancy



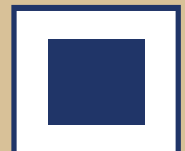
EU Fairlead Rollers  
from 150mm up to  
450mm



Complete range of  
MES Dolphin anchors  
100kg up to 15,000kg



Complete range of  
Smit Brackets  
38mm (50t SWL)  
114mm (350t SWL)



### MARINE EQUIPMENT SERVICES B.V.

Hulsenboschstraat 23  
4251 LR Werkendam  
The Netherlands  
VAT: NL812705233B01

Phone +31 183 502 052  
Fax +31 183 501 638  
Mobile +31 653 266 524  
Chamber of Commerce: 11057411

[www.mestrading.com](http://www.mestrading.com)