

DECK MOUNTED PANAMA CHOCKS DIN 81915 C TYPE



THE NETHERLANDS



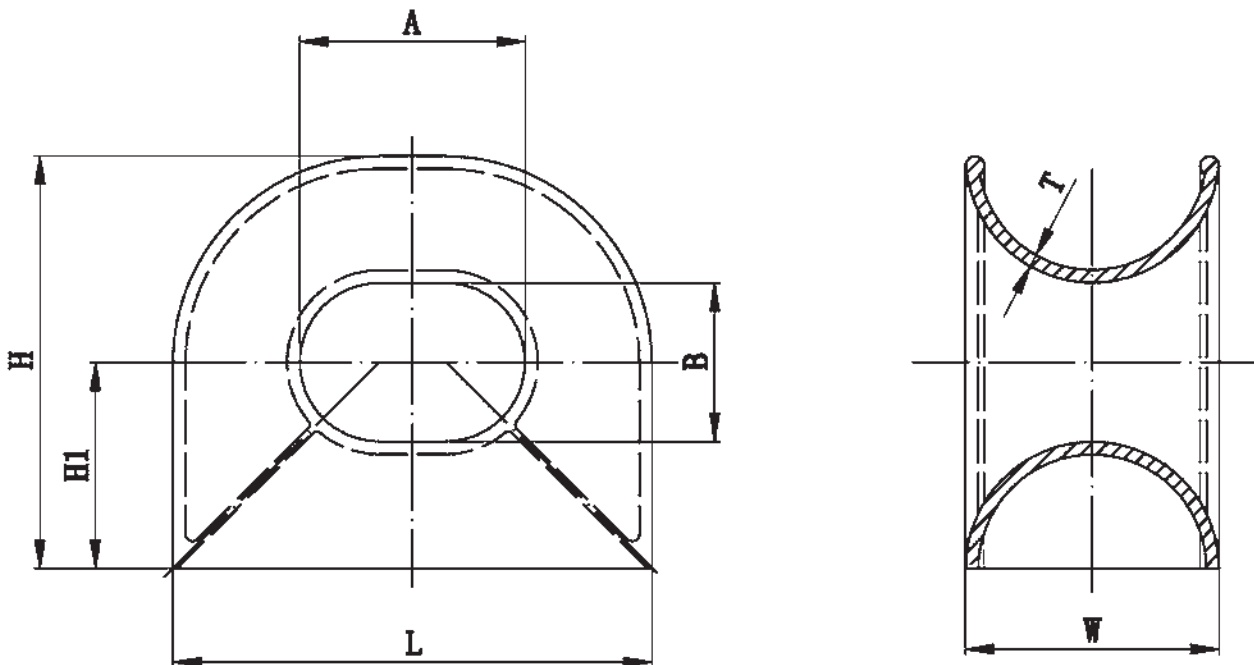
MARINE EQUIPMENT SERVICES

Deck Mounted Panama Chocks

Deck Mounted Panama Chock - DIN 81915 Type C (Deck Mounted). Product code: AE-2308.

Model	SWL (kN)	Dimensions (mm)						Mass (kgs)
		L	W	H	H1	A	B	
C2	20	360	200	315	157.5	160	115	29
C3	30	450	250	390	195	200	140	48
C5	50	550	300	480	240	250	180	85
C8	80	680	360	585	292.5	320	225	136
C12	120	840	440	710	355	400	270	211
C20	200	1020	520	840	420	500	320	325
C32	320	1300	700	1100	550	600	400	840

Type C



MARINE EQUIPMENT SERVICES B.V.

Phone +31 (0)183 50 20 52, Cellphone: +31 (0) 653 266 524, Fax +31 (0)183 50 16 38
 E-mail jvm@mestrading.com - Internet www.mestrading.com



New building
Workboats TH 40
Tomboy 22 & 26



Swivelhead Fairleads
from 18mm up to
76 mm



Electrical and
hydraulic driven
Capstans from
1-20 ton



Hydraulic winches
from 5 up to 20 ton



4Persons TLQ
accommodation
units



5 x 60 ton hydraulic
single drum winches



Universal Roller
Fairleads from
FA4-12 up to
FA4-52



Rubber fenders size
1200 x 2000mm



Diesel hydraulic
Powerpacks



Rubber fenders
with chain and
tyre netting



Universal Roller
Fairleads FA2 series



Complete range of
Deck and Bulwark
mounted Panama
Chocks



Steel anchor buoys
foam filled from
500kg up to 10000kg
buoyancy



EU Fairlead Rollers
from 150mm up to
450mm



Complete range of
MES Dolphin anchors
100kg up to 15,000kg



Complete range of
Smit Brackets
38mm (50t SWL)
114mm (350t SWL)



MARINE EQUIPMENT SERVICES B.V.

Hulsenboschstraat 23
4251 LR Werkendam
The Netherlands
VAT: NL812705233B01

Phone +31 183 502 052
Fax +31 183 501 638
Mobile +31 653 266 524
Chamber of Commerce: 11057411

www.mestrading.com