

CLEAT

THE NETHERLANDS

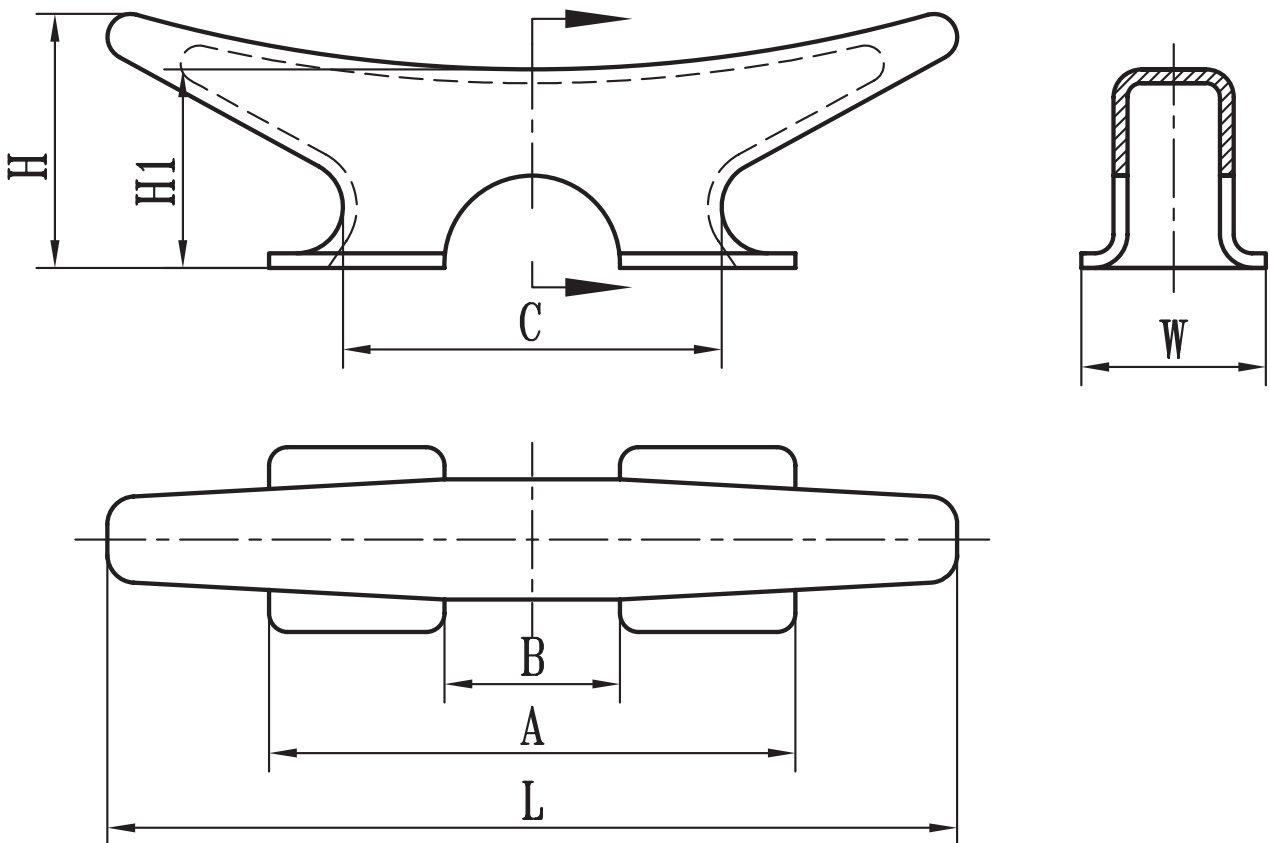


MARINE EQUIPMENT SERVICES

Cleat

Cleat

Model	L	W	H	H1	A	B	C	SWL (tons)	Weight
CL-400	406	101	121	94	250	70	160	7	7
CL-500	510	115	155	120	320	108	230	10	21
CL-900	920	230	275	215	570	190	410	30	76
CL-1200	1220	250	295	230	670	220	510	40	104



MARINE EQUIPMENT SERVICES B.V.

Phone +31 (0)183 50 20 52, Cellphone: +31 (0) 653 266 524, Fax +31 (0)183 50 16 38
 E-mail jvm@mestrading.com - Internet www.mestrading.com



New building
Workboats TH 40
Tomboy 22 & 26



Swivelhead Fairleads
from 18mm up to
76 mm



Electrical and
hydraulic driven
Capstans from
1-20 ton



Hydraulic winches
from 5 up to 20 ton



4Persons TLQ
accommodation
units



5 x 60 ton hydraulic
single drum winches



Universal Roller
Fairleads from
FA4-12 up to
FA4-52



Rubber fenders size
1200 x 2000mm



Diesel hydraulic
Powerpacks



Rubber fenders
with chain and
tyre netting



Universal Roller
Fairleads FA2 series



Complete range of
Deck and Bulwark
mounted Panama
Chocks



Steel anchor buoys
foam filled from
500kg up to 10000kg
buoyancy



EU Fairlead Rollers
from 150mm up to
450mm



Complete range of
MES Dolphin anchors
100kg up to 15,000kg



Complete range of
Smit Brackets
38mm (50t SWL)
114mm (350t SWL)



MARINE EQUIPMENT SERVICES B.V.

Hulsenboschstraat 23
4251 LR Werkendam
The Netherlands
VAT: NL812705233B01

Phone +31 183 502 052
Fax +31 183 501 638
Mobile +31 653 266 524
Chamber of Commerce: 11057411

www.mestrading.com