

FAIRLEAD ROLLERS JISF2014



THE NETHERLANDS



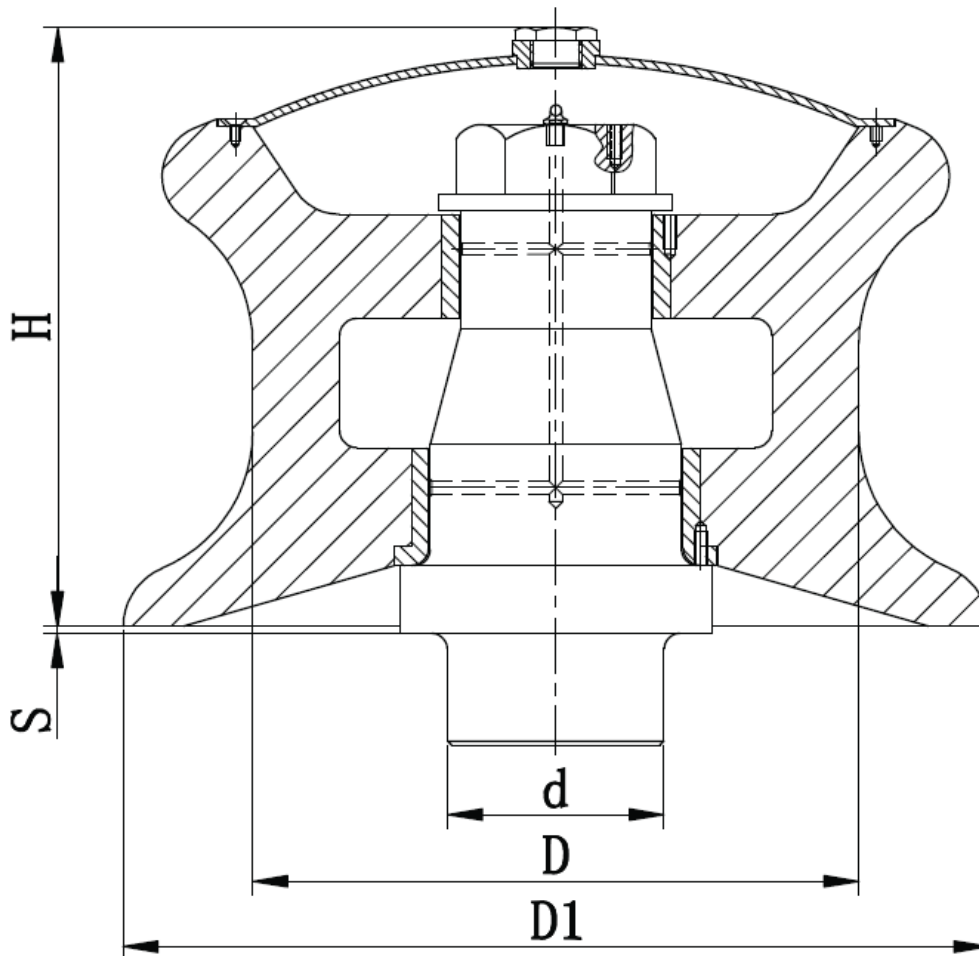
MARINE EQUIPMENT SERVICES

JIF2014 Fairlead Rollers

Fairlead Roller - JISF2014 Type. Product code: AE-3100

Nominal Diameter (mm)	Dimensions (mm)				Mass (kgs)	Breaking Load (Tons)	Dia. of Mooring Line (Reference)			
	D1	d	H	S			Wire Rope		P.P. rope	Hemp. rope
							6 x 24	6 x 37		
150	240	60	211	3	33.8	13	17	15	32	45
200	310	80	251	3	68	21	22.5	19.5	40	55
250	380	90	298	4	114	28	24	24	45	65
300	440	110	321	4	168	42	30	28	50	70
350	500	125	346	4	248	61	37.5	34.5	55	75
400	560	140	371	5	355	74	41	39	65	85
450	620	155	394	5	462	90	44.5	43	80	---

TYPE JISF2014



MARINE EQUIPMENT SERVICES B.V.



New building
Workboats TH 40
Tomboy 22 & 26



Swivelhead Fairleads
from 18mm up to
76 mm



Electrical and
hydraulic driven
Capstans from
1-20 ton



Hydraulic winches
from 5 up to 20 ton



4Persons TLQ
accommodation
units



5 x 60 ton hydraulic
single drum winches



Universal Roller
Fairleads from
FA4-12 up to
FA4-52



Rubber fenders size
1200 x 2000mm



Diesel hydraulic
Powerpacks



Rubber fenders
with chain and
tyre netting



Universal Roller
Fairleads FA2 series



Complete range of
Deck and Bulwark
mounted Panama
Chocks



Steel anchor buoys
foam filled from
500kg up to 10000kg
buoyancy



EU Fairlead Rollers
from 150mm up to
450mm



Complete range of
MES Dolphin anchors
100kg up to 15,000kg



Complete range of
Smit Brackets
38mm (50t SWL)
114mm (350t SWL)



MARINE EQUIPMENT SERVICES B.V.

Hulsenboschstraat 23
4251 LR Werkendam
The Netherlands
VAT: NL812705233B01

Phone +31 183 502 052
Fax +31 183 501 638
Mobile +31 653 266 524
Chamber of Commerce: 11057411

www.mestrading.com