

# BULWARK MOUNTED PANAMA CHOCKS ISO13729-B



THE NETHERLANDS



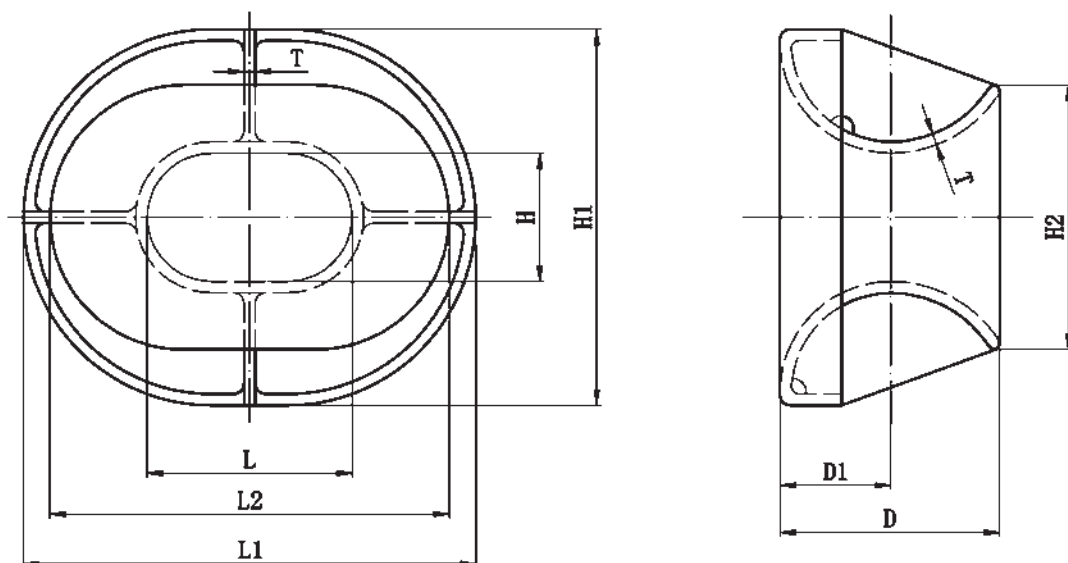
MARINE EQUIPMENT SERVICES

# Bulwark Mounted Panama Chocks ISO13729

## Bulwark Mounted Panama Chocks ISO13729 - B

Type B (LXHXD)	Dimensions (mm)						SWL (T)	Weight (kg)
	L1	L2	H1	H2	D1	T		
250x200x214	516	441	466	306	108	12	23	49
300x250x286	638	554	588	410	144	16	43	100
350x250x333	736	646	636	449	168	18	56	141
400x250x381	834	736	684	450	192	20	70	184
450x250x381	884	786	684	450	192	20	72	194
500x250x381	934	836	684	450	192	20	78	202
400x250x428	882	778	732	515	216	22	90	264
450x250x428	932	828	732	515	216	22	93	276
500x250x428	982	878	732	515	216	22	95	288
500x400x428	982	878	882	665	216	22	91	311
500x250x525A	1078	976	828	551	264	24	117	379
500x400x525A	1078	978	978	701	264	24	118	408
500x250x525B	1078	976	828	554	264	26	144	405
500x400x525B	1078	978	978	704	264	26	141	442

## ISO13729 Type B



MARINE EQUIPMENT SERVICES B.V.

Phone +31 (0)183 50 20 52, Cellphone: +31 (0) 653 266 524, Fax +31 (0)183 50 16 38  
E-mail [jvm@mestrading.com](mailto:jvm@mestrading.com) - Internet [www.mestrading.com](http://www.mestrading.com)



New building  
Workboats TH 40  
Tomboy 22 & 26



Swivelhead Fairleads  
from 18mm up to  
76 mm



Electrical and  
hydraulic driven  
Capstans from  
1-20 ton



Hydraulic winches  
from 5 up to 20 ton



4Persons TLQ  
accommodation  
units



5 x 60 ton hydraulic  
single drum winches



Universal Roller  
Fairleads from  
FA4-12 up to  
FA4-52



Rubber fenders size  
1200 x 2000mm



Diesel hydraulic  
Powerpacks



Rubber fenders  
with chain and  
tyre netting



Universal Roller  
Fairleads FA2 series



Complete range of  
Deck and Bulwark  
mounted Panama  
Chocks



Steel anchor buoys  
foam filled from  
500kg up to 10000kg  
buoyancy



EU Fairlead Rollers  
from 150mm up to  
450mm



Complete range of  
MES Dolphin anchors  
100kg up to 15,000kg



Complete range of  
Smit Brackets  
38mm (50t SWL)  
114mm (350t SWL)



## MARINE EQUIPMENT SERVICES B.V.

Hulsenboschstraat 23  
4251 LR Werkendam  
The Netherlands  
VAT: NL812705233B01

Phone +31 183 502 052  
Fax +31 183 501 638  
Mobile +31 653 266 524  
Chamber of Commerce: 11057411

[www.mestrading.com](http://www.mestrading.com)