

T-HEAD BOLLARDS

THE NETHERLANDS



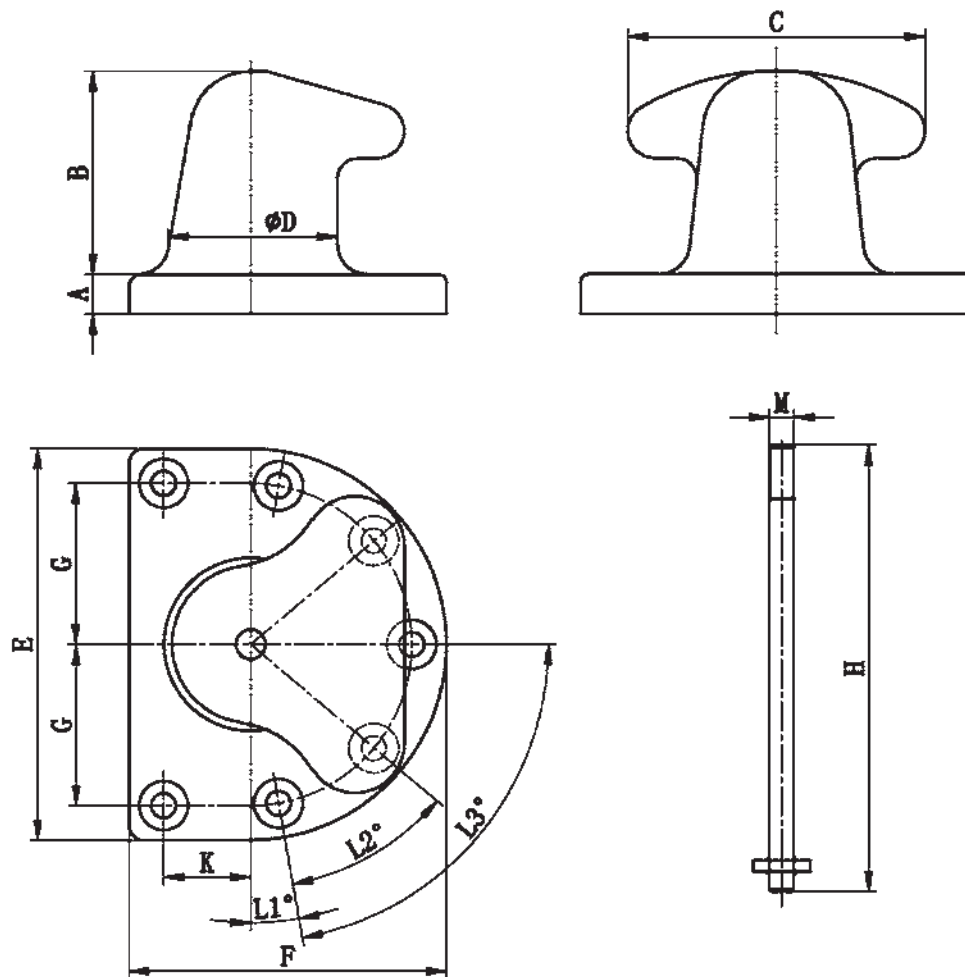
MARINE EQUIPMENT SERVICES

T-Head Bollards

T-Head Bollards-TEE

Bollard capacity (tonnes)	Dimensions (mm)											Bolts			Weight (kg)
	A	B	C	D	E	F	G	K	L1	L2	L3	M	H	Qty	
20	40	235	340	170	410	335	155	80	30°	—	60°	M24	500	5	82
30	40	255	350	200	450	375	175	100	30°	—	60°	M30	500	5	112
50	55	350	500	260	640	540	250	150	30°	—	60°	M36	600	5	288
80	70	380	550	280	640	550	250	160	15°	45°	—	M42	800	6	336
100	80	410	600	350	790	640	325	175	10°	40°	80°	M42	1000	7	486
150	90	435	700	400	900	750	350	200	10°	40°	80°	M48	1000	7	590
200	90	500	800	480	1000	850	375	225	0°	36°	72°	M56	1100	8	720

T-Head Bollards-TEE



MARINE EQUIPMENT SERVICES B.V.

Phone +31 (0)183 50 20 52, Cellphone: +31 (0) 653 266 524, Fax +31 (0)183 50 16 38
 E-mail jvm@mestrading.com - Internet www.mestrading.com



New building
Workboats TH 40
Tomboy 22 & 26



Swivelhead Fairleads
from 18mm up to
76 mm



Electrical and
hydraulic driven
Capstans from
1-20 ton



Hydraulic winches
from 5 up to 20 ton



4Persons TLQ
accommodation
units



5 x 60 ton hydraulic
single drum winches



Universal Roller
Fairleads from
FA4-12 up to
FA4-52



Rubber fenders size
1200 x 2000mm



Diesel hydraulic
Powerpacks



Rubber fenders
with chain and
tyre netting



Universal Roller
Fairleads FA2 series



Complete range of
Deck and Bulwark
mounted Panama
Chocks



Steel anchor buoys
foam filled from
500kg up to 10000kg
buoyancy



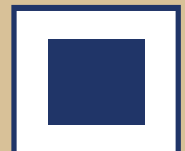
EU Fairlead Rollers
from 150mm up to
450mm



Complete range of
MES Dolphin anchors
100kg up to 15,000kg



Complete range of
Smit Brackets
38mm (50t SWL)
114mm (350t SWL)



MARINE EQUIPMENT SERVICES B.V.

Hulsenboschstraat 23
4251 LR Werkendam
The Netherlands
VAT: NL812705233B01

Phone +31 183 502 052
Fax +31 183 501 638
Mobile +31 653 266 524
Chamber of Commerce: 11057411

www.mestrading.com