

PADEYES TYPE "X" – "Y"

THE NETHERLANDS



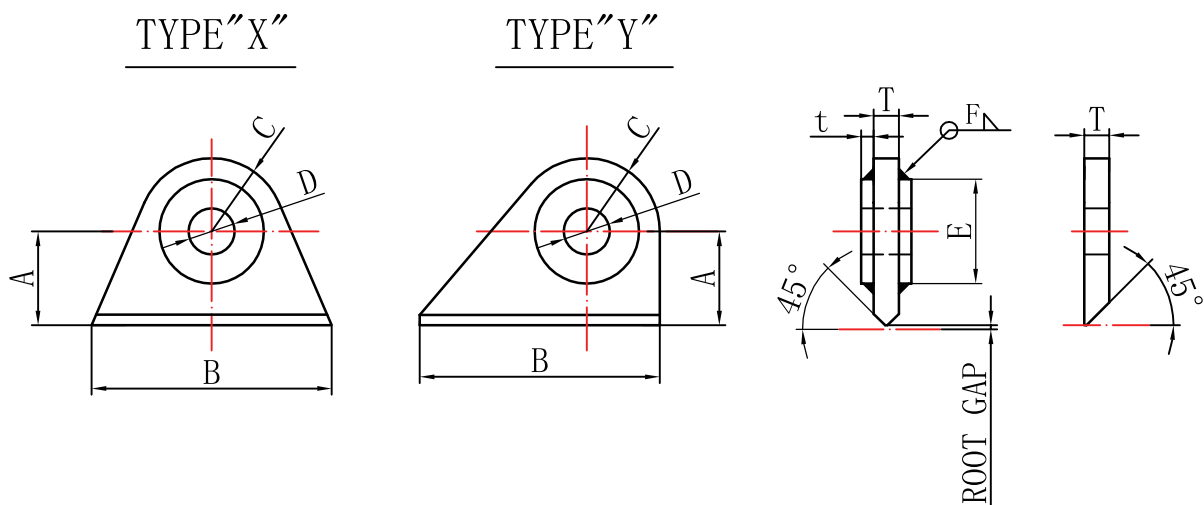
MARINE EQUIPMENT SERVICES

Padeyes type "X" - "Y"

Padeyes type "X" - "Y"

SHACKLE WLL (tonne)	Dimensions (mm)								
	A	B	C	D	WITHOUT CHK.PLS.	WITH CHK.PLS.	CHEEK PLATES		
					T	T	t	E	F
3.2	45	115	35	22	20	12	6	50	6
4.7	55	135	40	25	25	16	6	60	6
6.5	55	150	45	28	32	20	6	70	6
8.5	60	160	50	32	—	25	6	80	6
9.5	65	185	55	35	—	25	8	90	6
12	70	200	60	38	—	25	10	100	6
13	75	220	65	41	—	25	10	110	6
17	85	230	70	44	—	32	10	120	6
25	105	280	85	54	—	40	12	150	8
35	120	295	105	60	—	50	10	170	8
45	130	340	115	66	—	50	16	190	8
55	150	360	130	73	—	50	20	220	10

Padeyes type "X" - "Y"



MARINE EQUIPMENT SERVICES B.V.

Phone +31 (0)183 50 20 52, Cellphone: +31 (0) 653 266 524, Fax +31 (0)183 50 16 38
E-mail jvm@mestrading.com - Internet www.mestrading.com



New building
Workboats TH 40
Tomboy 22 & 26



Swivelhead Fairleads
from 18mm up to
76 mm



Electrical and
hydraulic driven
Capstans from
1-20 ton



Hydraulic winches
from 5 up to 20 ton



4Persons TLQ
accommodation
units



5 x 60 ton hydraulic
single drum winches



Universal Roller
Fairleads from
FA4-12 up to
FA4-52



Rubber fenders size
1200 x 2000mm



Diesel hydraulic
Powerpacks



Rubber fenders
with chain and
tyre netting



Universal Roller
Fairleads FA2 series



Complete range of
Deck and Bulwark
mounted Panama
Chocks



Steel anchor buoys
foam filled from
500kg up to 10000kg
buoyancy



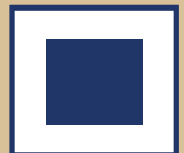
EU Fairlead Rollers
from 150mm up to
450mm



Complete range of
MES Dolphin anchors
100kg up to 15,000kg



Complete range of
Smit Brackets
38mm (50t SWL)
114mm (350t SWL)



MARINE EQUIPMENT SERVICES B.V.

Hulsenboschstraat 23
4251 LR Werkendam
The Netherlands
VAT: NL812705233B01

Phone +31 183 502 052
Fax +31 183 501 638
Mobile +31 653 266 524
Chamber of Commerce: 11057411

www.mestrading.com