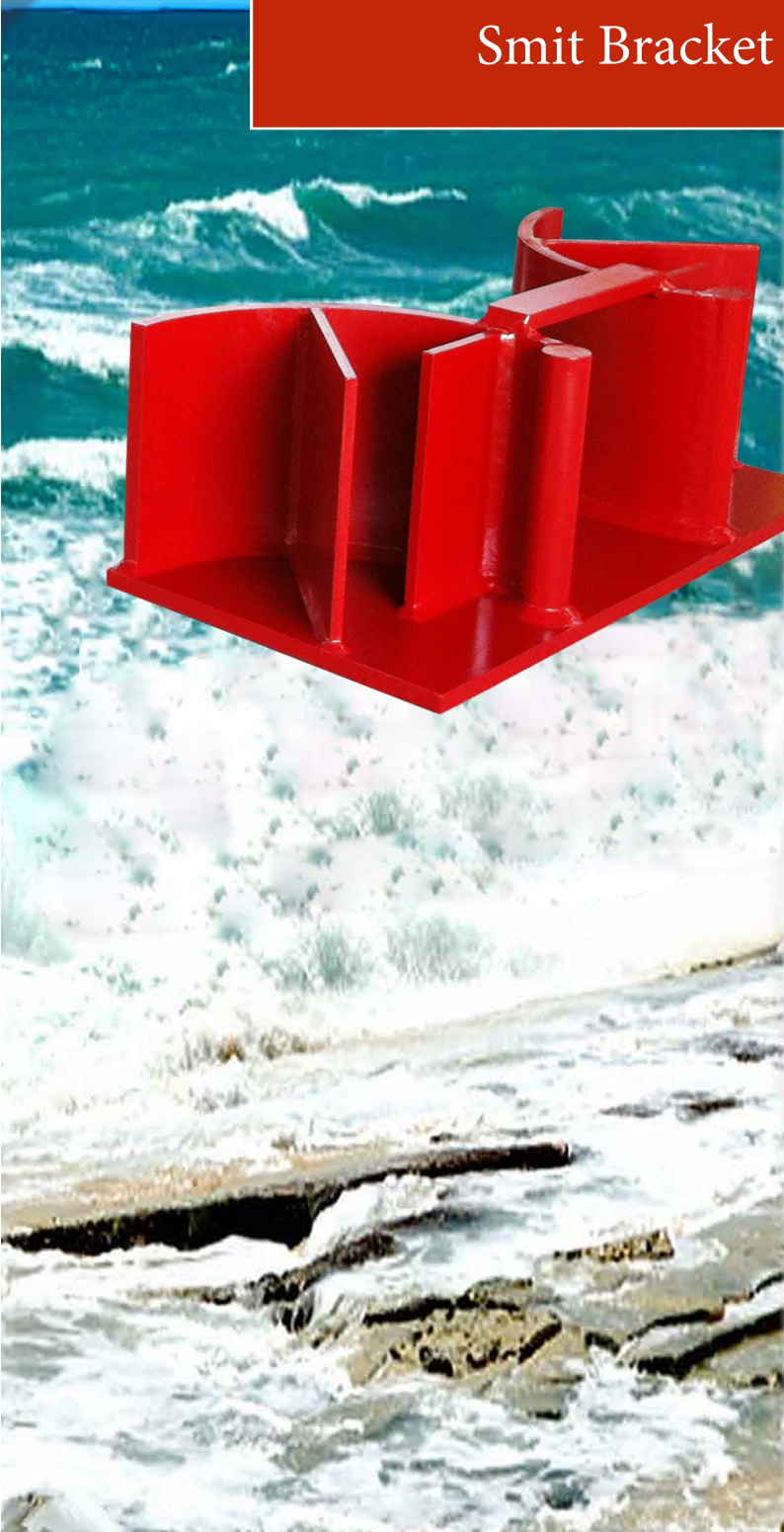
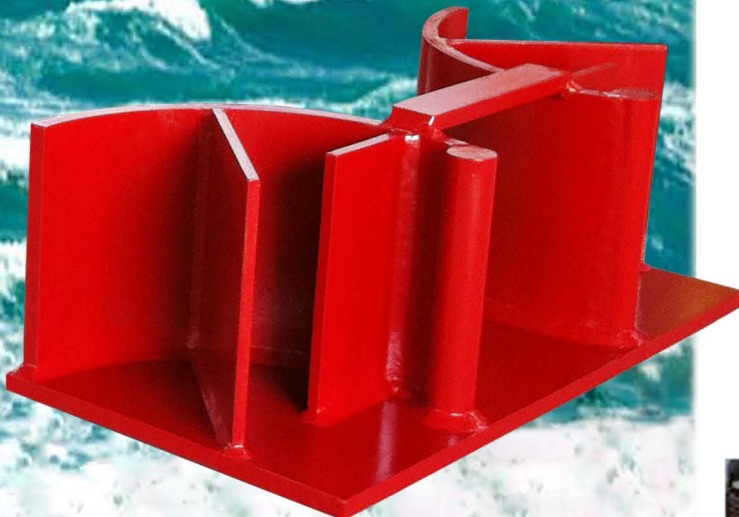
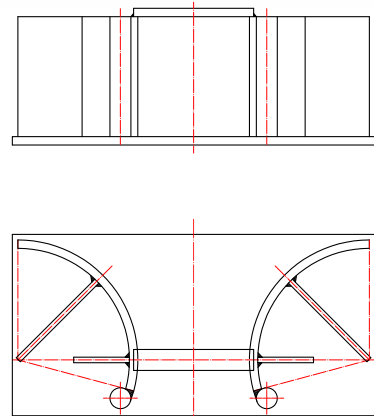


MES

Marine Equipment Services by

Smit Bracket Towing Guidance

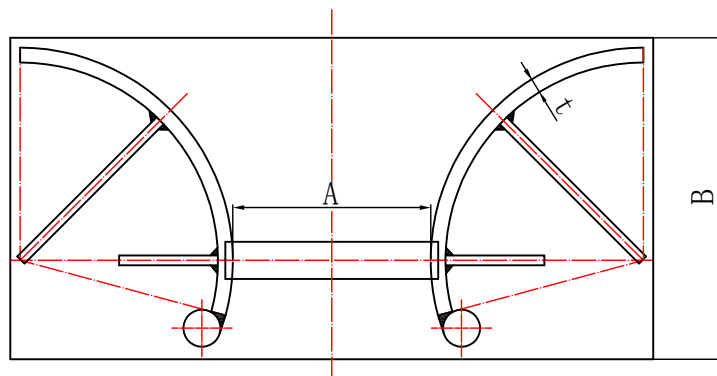
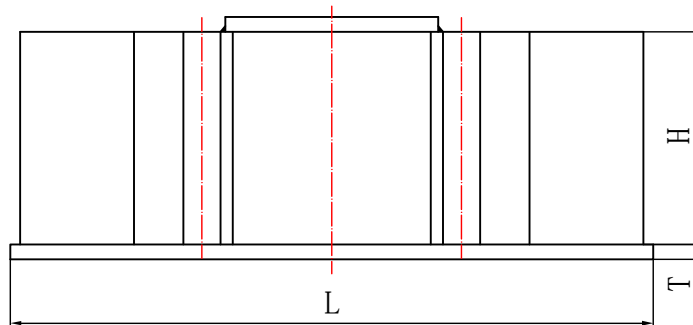


Smit Bracket Towing Guidance

Smit Bracket Towing Guidance

Type	Rope Dia. (mm)	Dimensions (mm)						Mass (kgs)	SWL (KN)
		A	B	L	H	T	t		
38	38-40	180	470	860	300	25	20	190	500
50	50-54	220	500	910	320	25	25	230	1000
62	62-64	360	500	1050	350	25	25	268	1500
76	76-78	400	650	1300	430	30	30	510	2000
80	80-84	440	712	1424	450	32	32	623	2250
86	86-90	460	730	1444	450	32	32	644	2500
97	97-102	500	760	1490	450	35	35	728	3000
104	104-114	600	760	1590	450	35	35	762	3500

Smit Bracket Towing Guidance



Marine Equipment Services b.v.

Harpstraat 5, 4241 CA ARKEL, The NETHERLANDS

Phone +31 (0)183 50 20 52, Cellphone: +31 (0) 653 266 524, Fax +31 (0)183 50 16 38

E-mail jym@mestrading.com - Internet www.mestrading.com