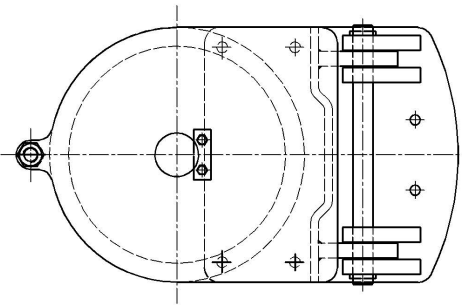
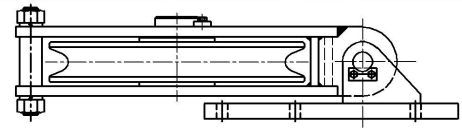


MES



Self Aligning Pendle Sheave

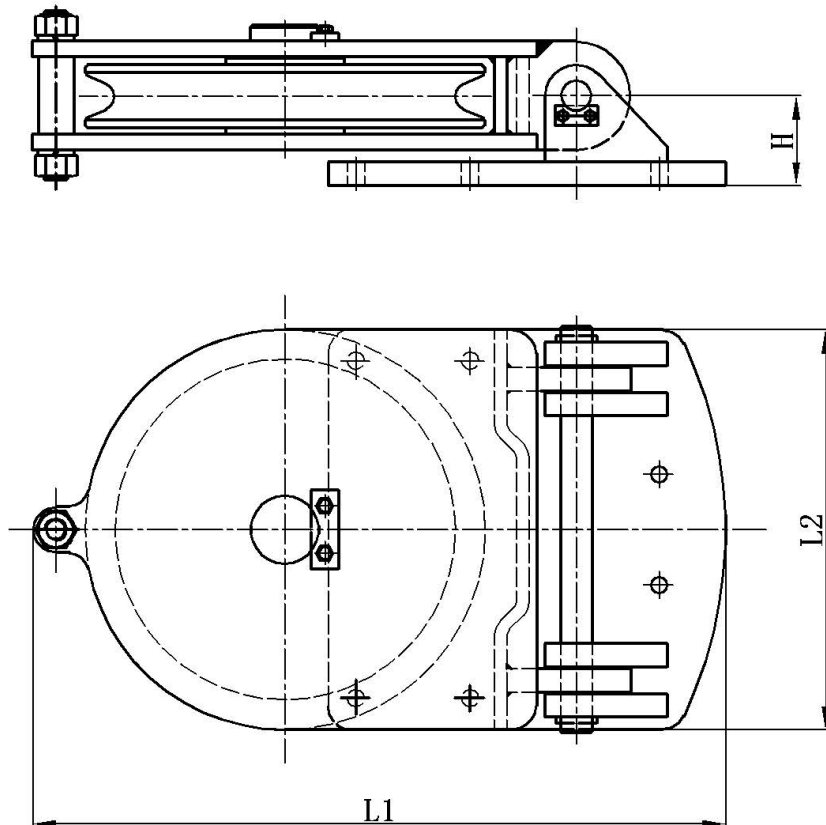


Self Aligning Pendle Sheave

Self Aligning Pendle Sheave - Type RC

Type	Rope Dia. (mm)	Sheave Dia. (mm)	Dimensions (mm)			SWL (T)	Weight (kg)
			L1	L2	H		
RC8-20	18	203	420	203	70	20	68
RC10-40	22	254	505	254	84	30	86
RC12-65	25	305	585	305	94	40	118
RC18-80	32	508	880	508	114	60	296
RC24-100	38	550	1005	550	139	75	422
RC30-120	44	610	1170	610	160	90	680

Self Aligning Pendle Sheave



Marine Equipment Services b.v.

Harpstraat 5, 4241 CA ARKEL, The NETHERLANDS

Phone +31 (0)183 50 20 52, Cellphone: +31 (0) 653 266 524, Fax +31 (0)183 50 16 38

E-mail jym@mestrading.com - Internet www.mestrading.com