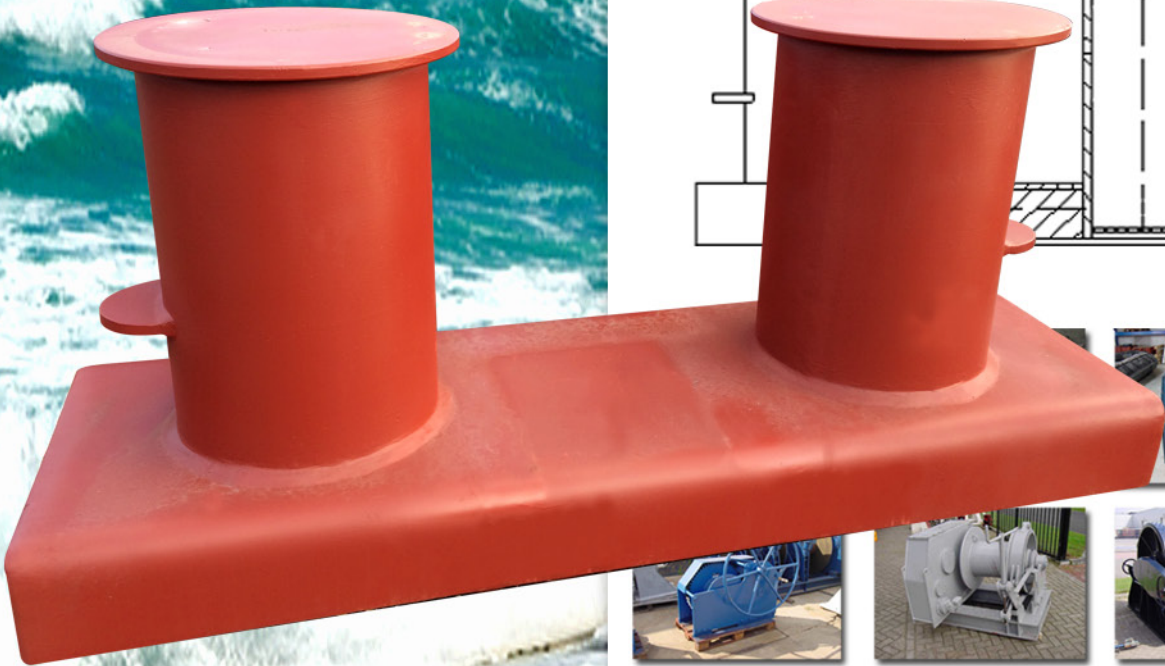


MES

Marine Equipment Services by

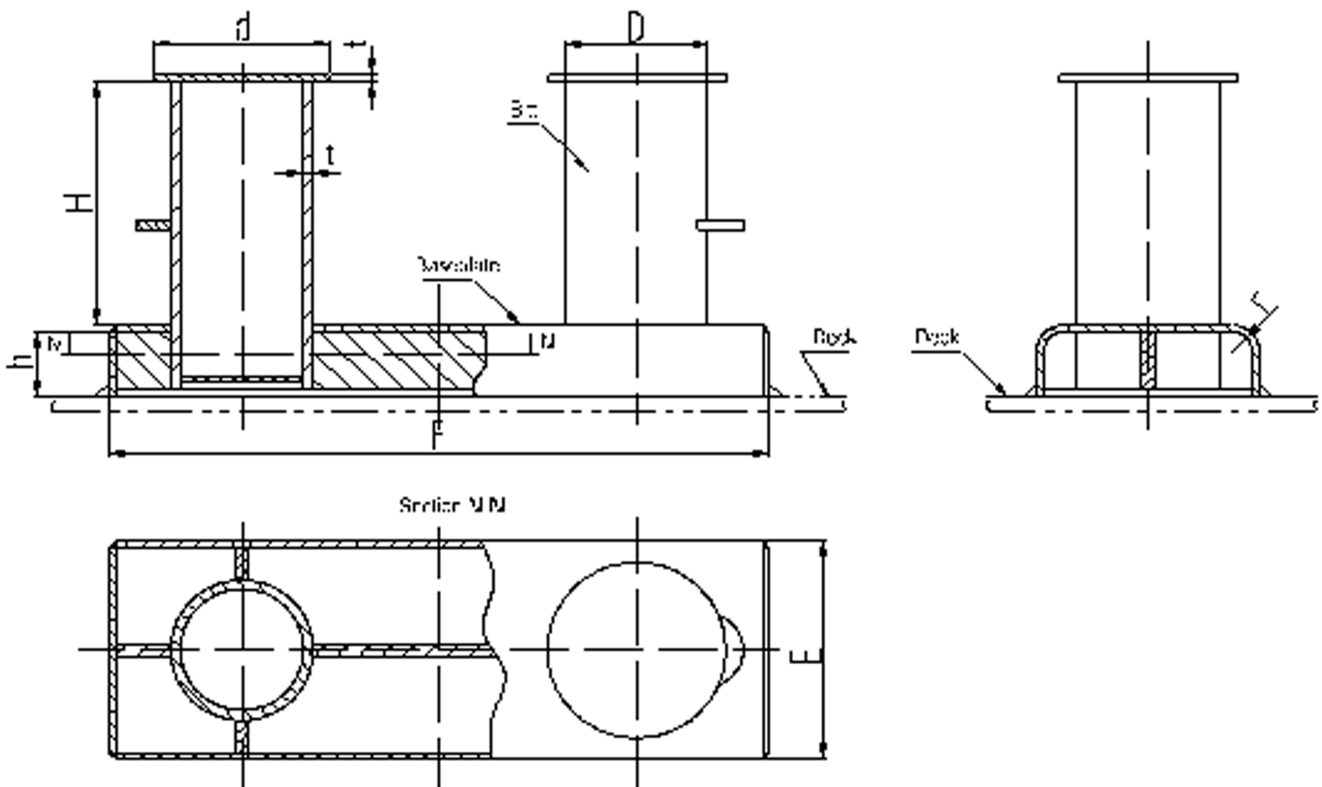
# Welded Bollard ISO 3913



# Welded Bollard ISO 3913

## Welded Bollard ISO 3913

Nominal size Dn	D	t specified		Dimensions (mm)						Single rope Max. Loading (P) KN	Weight (kg)
		tube	plate	E	F	H	d	h	r		
		410 N/mm <sup>2</sup> Min.	410 N/mm <sup>2</sup> Min.								
100	114,3	10	10	150	450	160	140	75	8	30	
125	139,7	10	10	190	560	200	170	80	8	40	
160	168,3	10	10	250	720	260	200	90	8	50	
200	219,1	11	10	300	900	310	265	100	10	80	
250	273,0	12,5	11	380	1130	392	325	125	14	120	
315	323,9	16	15	480	1430	496	395	150	16	200	
400	406,4	20	18	600	1800	620	500	175	18	320	
500	508,0	22,2	20	750	2250	772	620	200	24	460	
630	609,6	28	24	940	2830	940	750	225	26	700	
710	711,2	28	25	1050	3200	1050	870	250	28	820	
800	813,0	30	26	1200	3600	1200	990	275	32	1000	



**Marine Equipment Services b.v.**

Phone +31 (0)183 50 20 52, Cellphone: +31 (0) 653 266 524, Fax +31 (0)183 50 16 38  
E-mail [jym@mestrading.com](mailto:jym@mestrading.com) - Internet [www.mestrading.com](http://www.mestrading.com)