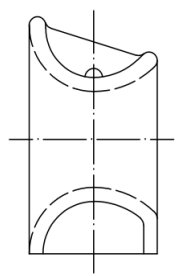
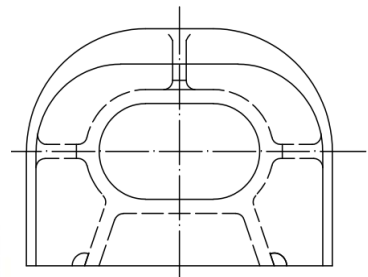


MES



Deck Mounted Panama Chocks AC Type

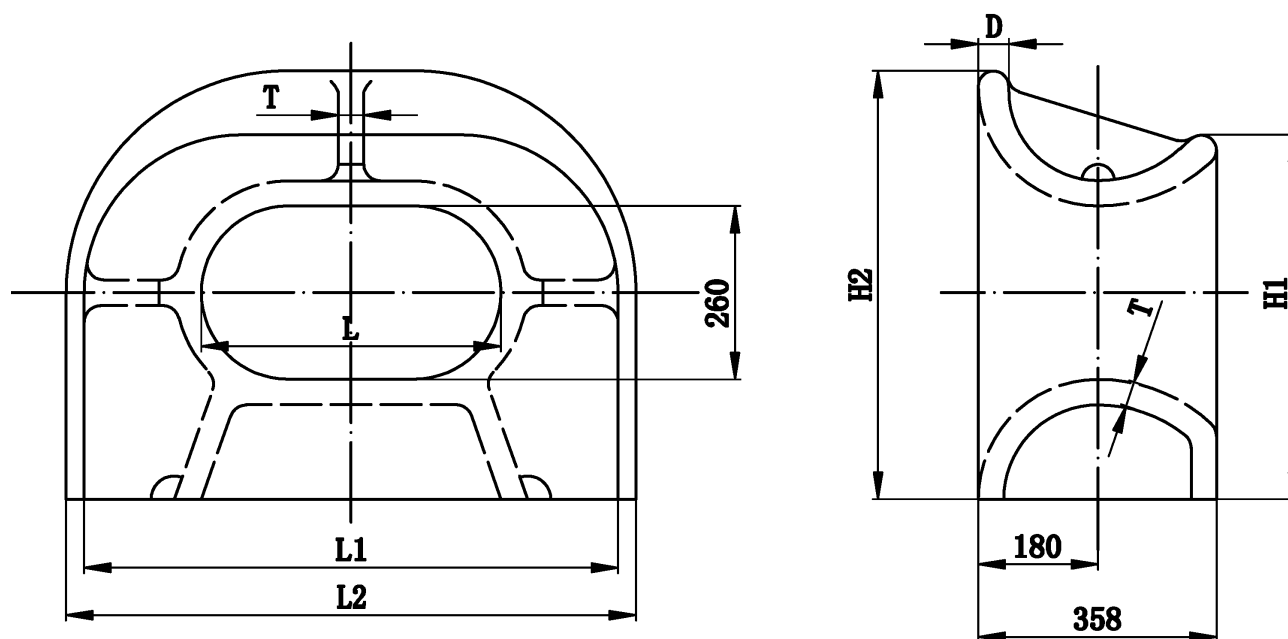


Deck Mounted Panama Chocks JIS F-2017

Deck Mounted Panama Chocks JIS F-2017 AC

| TYPE | SWL (T) | Dimensions (mm) | | | | | | | Weight (kg) |
|-------|---------|-----------------|-----|-----|-----|-----|----|----|-------------|
| | | L | L1 | L2 | H1 | H2 | T | D | |
| AC310 | 30 | 310 | 652 | 708 | 541 | 639 | 32 | 38 | 253 |
| AC360 | 46 | 360 | 704 | 760 | 542 | 640 | 34 | 40 | 289 |
| AC400 | 64 | 400 | 750 | 804 | 545 | 642 | 36 | 44 | 323 |
| AC450 | 80 | 450 | 802 | 856 | 547 | 643 | 38 | 46 | 351 |
| AC500 | 90 | 500 | 854 | 908 | 549 | 644 | 40 | 48 | 395 |

JIS F-2017 Type AC



Marine Equipment Services b.v.

Phone +31 (0)183 50 20 52, Cellphone: +31 (0) 653 266 524, Fax +31 (0)183 50 16 38
 E-mail jvm@mestrading.com - Internet www.mestrading.com