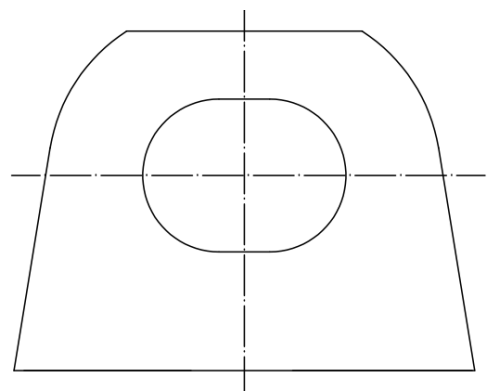


MES



Deck Mounted Panama Chocks EU Type

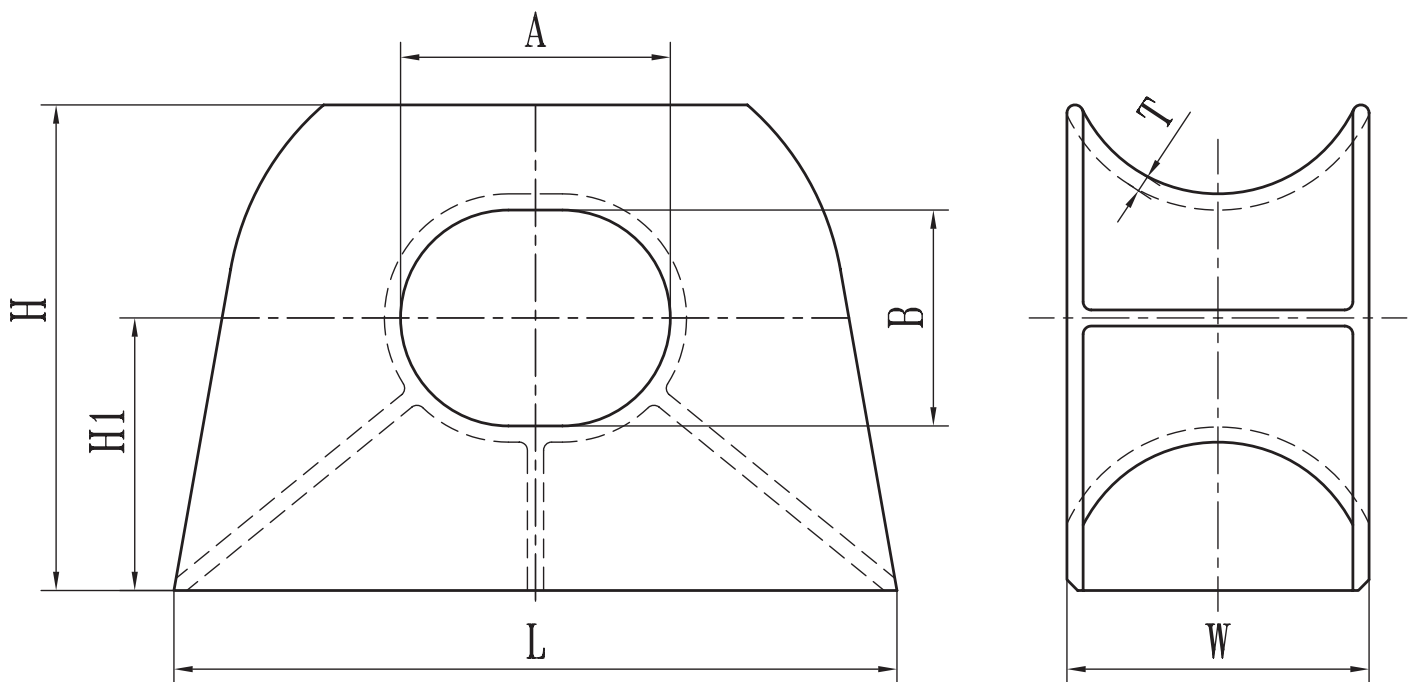


Deck Mounted Panama Chocks EU Type

Deck Mounted Panama Chocks EU Type

Model	SWL (T)	Dimensions (mm)							Weight (kg)
		L	W	H	H 1	T	A	B	
425x280	70	1075	500	785	450	26	425	280	378
600x450	102	1360	560	1000	575	32	600	450	670
600x450	204	1360	560	1000	575	36	600	450	720
600x450	250	1360	560	1000	575	40	600	450	784
600x450	350	1360	560	1000	575	50	600	450	1250

EU Type



Marine Equipment Services b.v.

Phone +31 (0)183 50 20 52, Cellphone: +31 (0) 653 266 524, Fax +31 (0)183 50 16 38
 E-mail jvm@mestrading.com - Internet www.mestrading.com