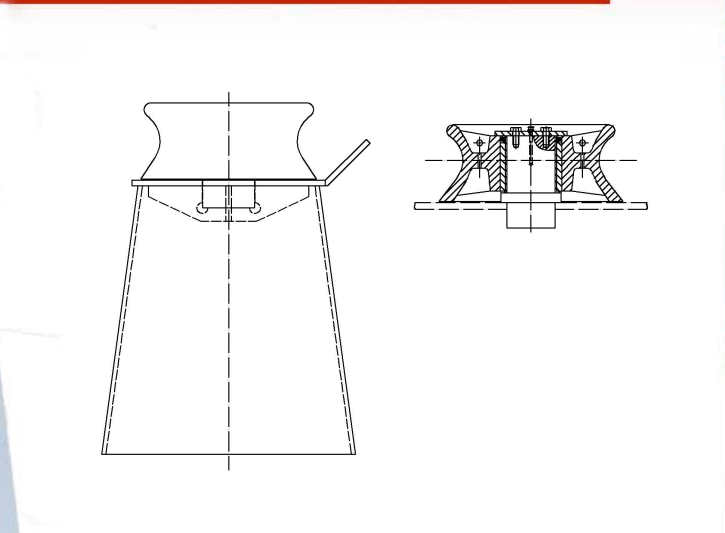




DIN Fairlead Rollers



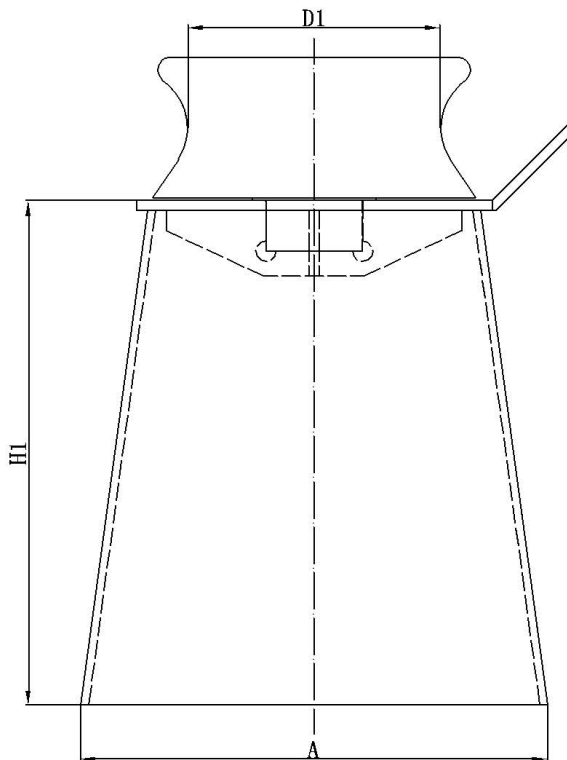
DIN81906 Fairlead Rollers

Fairlead Roller - DIN Type. Product code: AE-3100

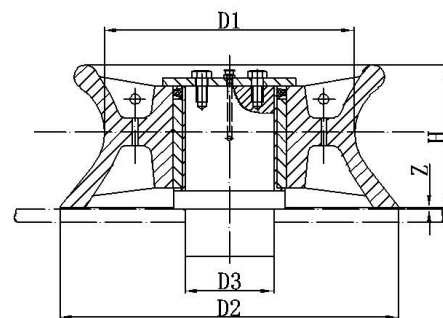
Type	Dimensions (mm)					Mass (kgs)	Nominal Pull (KN)	Dia. of Mooring Line (Reference)			
	D1	D2	D3	H	Z			Wire Rope		P.P. rope	Hemp. rope
								6 x 24	6 x 37		
WR1	160	210	60	80	1.5	14	10	12	10	22	35
WR2	200	265	70	102	2.5	20	20	16	14	28	40
WR3	250	330	85	126	2.5	33	32	20	18	36	50
WR5	320	420	106	160	2.5	72	50	24	22	45	60
WR8	400	530	125	208	2.5	140	80	32	30	60	75
WR12	450	610	160	256	2.5	240	125	40	38	78	98
WR20	500	640	190	278	4.5	320	200	44	42	80	100
WR32	560	780	230	348	4.5	580	320	48	44	96	116

Note : H1 and A depend on the arrangement of the specific mooring system

Roller with Conical Base



DIN Type



Marine Equipment Services b.v.

Harpstraat 5, 4241 CA ARKEL, The NETHERLANDS

Phone +31 (0)183 50 20 52, Cellphone: +31 (0) 653 266 524, Fax +31 (0)183 50 16 38

E-mail jvm@mestrading.com - Internet www.mestrading.com