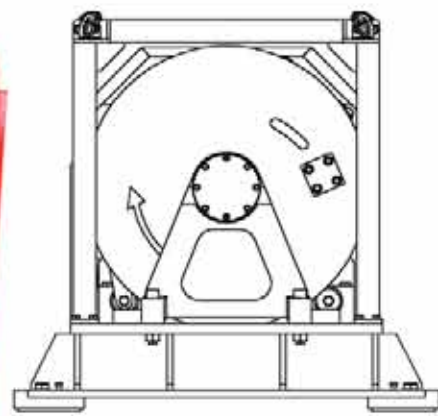


MES

Marine Equipment Services by

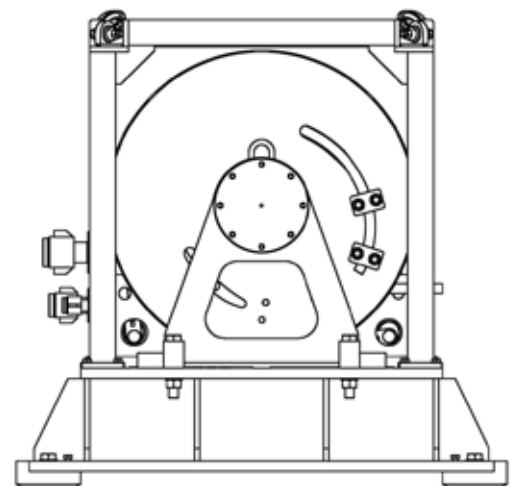
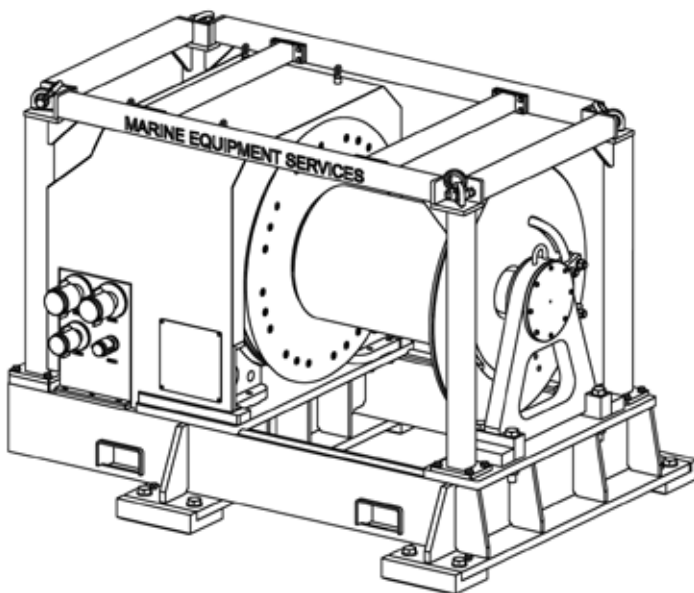
# 40 ton hoisting winch



# 40 ton hoisting winch

## 40 ton Hoisting Winches

| Specifications for winch on 1st layer |  |
|---------------------------------------|--|
| Pull                                  | 400 kN @ 10m / min (Delta p 250 bar)           |
| Slack rope speed                      | 20 m / min @ 200 kN                            |
| Brake holding force                   | 500 kN   |
| Diameter                              | 42 mm ( steel wire )                           |
| Number of layers                      | 8  |
| Length on drum                        | 300 meter                                      |
| Drive motor                           | 1 x Hydraulic motor, Hagglund motor type MB 84 |
| Oil flow required                     | 206 L / min                                    |
| Max. working pressure                 | 250 Bar (continuous)                           |
| Max. peak pressure                    | 300 Bar  |



**Marine Equipment Services b.v.**

Phone +31 (0)183 50 20 52, Cellphone: +31 (0) 653 266 524, Fax +31 (0)183 50 16 38  
E-mail [jym@mestrading.com](mailto:jym@mestrading.com) - Internet [www.mestrading.com](http://www.mestrading.com)