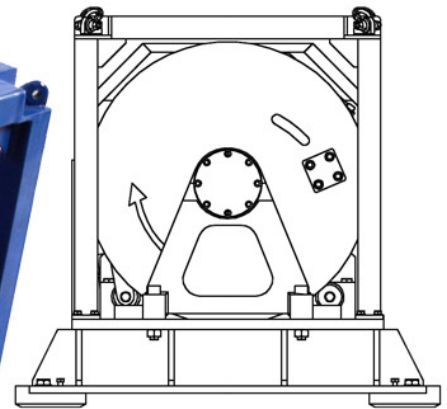


MES

Marine Equipment Services by



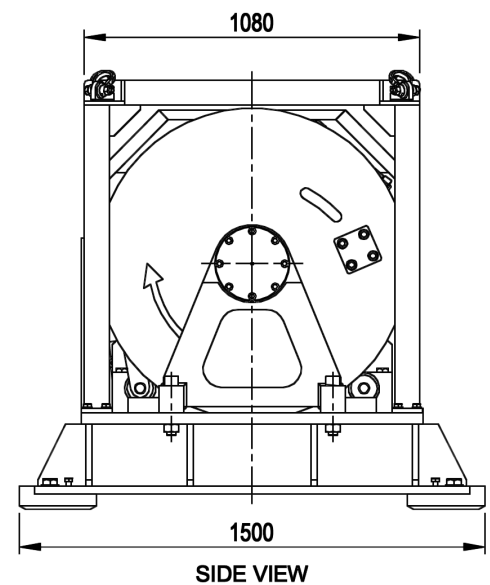
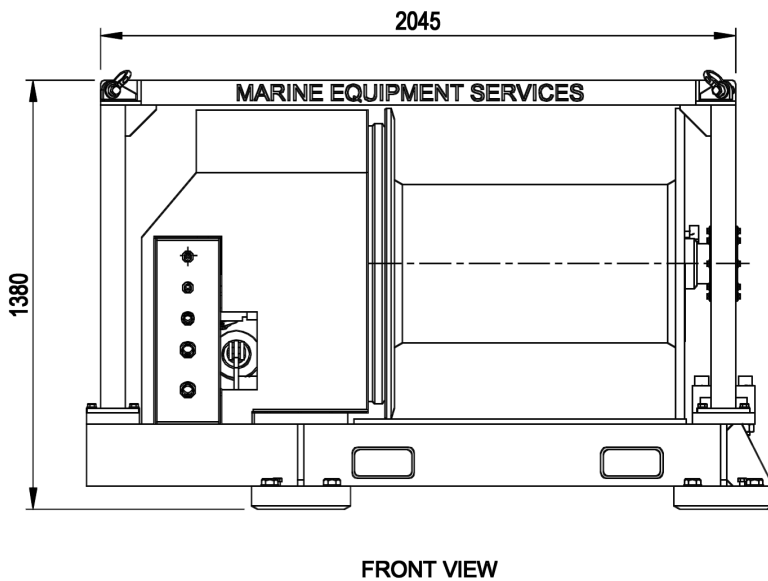
25 ton hoisting winch



25 ton hoisting winch

25 ton Hoisting Winches

Specifications for winch on 1st layer	
Pull	250 kN @ 10m / min (Delta p 270 bar)
Slack rope speed	20 m / min @ 100kN
Brake holding force	300 kN
Diameter	Dia. 30mm steel wire
Number of layers	8
Length on drum	550 meter
Drive motor	1 x Hydraulic motor, Hägglund motor type MK63
Oil flow required	140 L / min
Max. working pressure	275 Bar (continuous)
Max. peak pressure	320 Bar



Marine Equipment Services b.v.

Phone +31 (0)183 50 20 52, Cellphone: +31 (0) 653 266 524, Fax +31 (0)183 50 16 38
E-mail jym@mestrading.com - Internet www.mestrading.com