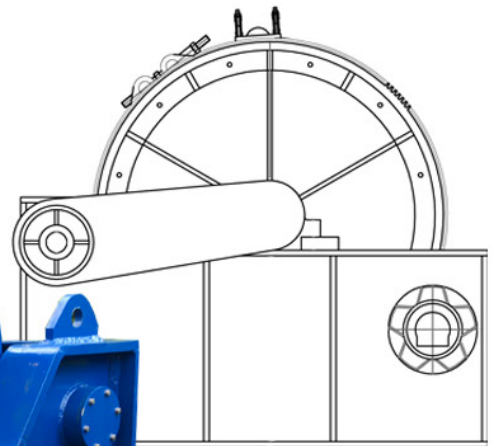


MES

Marine Equipment Services by



60 ton single drum winch



60 ton mooring winch

60 ton Hydraulic Mooring Winches

Pulling capacity: 60 ton x 10M/min

Speed: 10 m/min at 1st layer

Drum capacity: 1200M of diametre 44mm

Dimensions: Length 3093mm – Width 2680mm – Height 2350mm

Brake capacity: 130 ton at 1st layer static,

Weight: 17000 kg

Hydraulic operated bandbrake manual over ride

Clutch: claw type, hydraulic operated

Gearing: Spur gear & Pinion

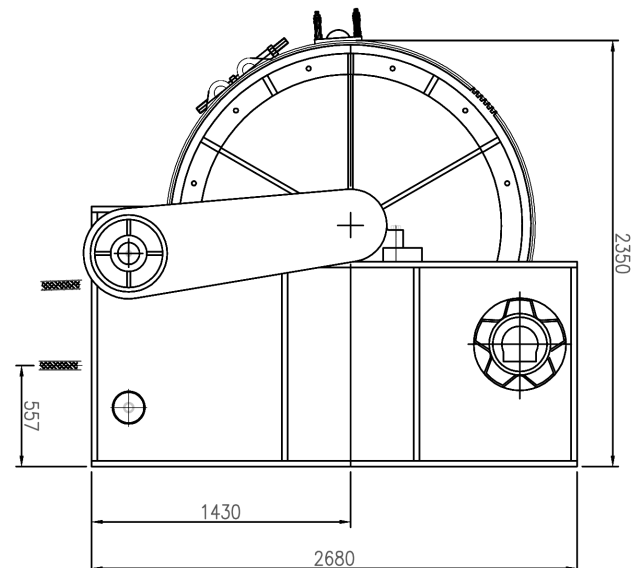
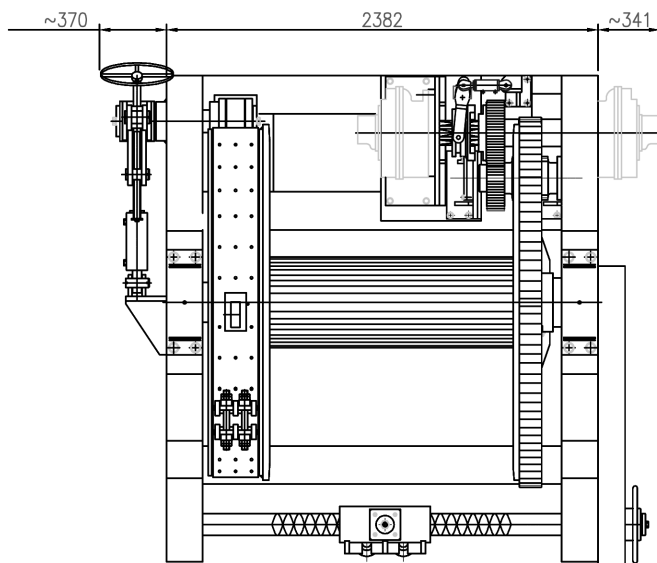
Winch control: manual lever hydraulic local control

Hydraulic motors: 2 radial Piston XHS6-3000

Pressure: 250 bar

Flow: 400 L/min

Spooling Device: Auto spooling device with Manual – Declutch (Levelwinder)



Marine Equipment Services b.v.

Phone +31 (0)183 50 20 52, Cellphone: +31 (0) 653 266 524, Fax +31 (0)183 50 16 38
E-mail jym@mestrading.com - Internet www.mestrading.com