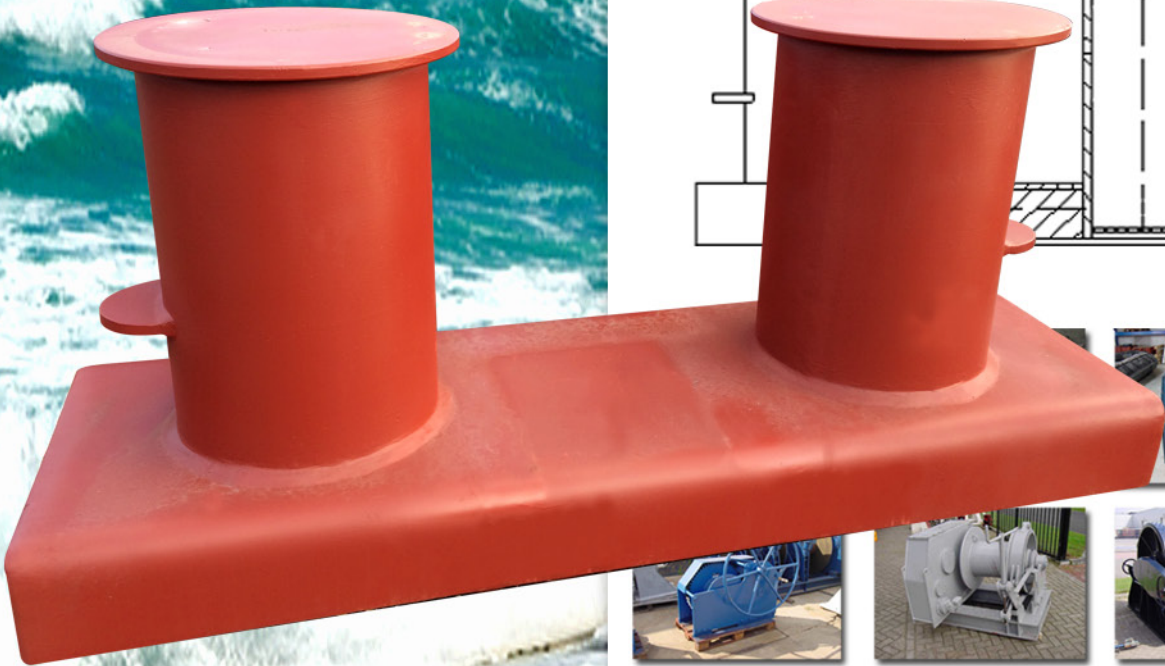


MES

Marine Equipment Services by

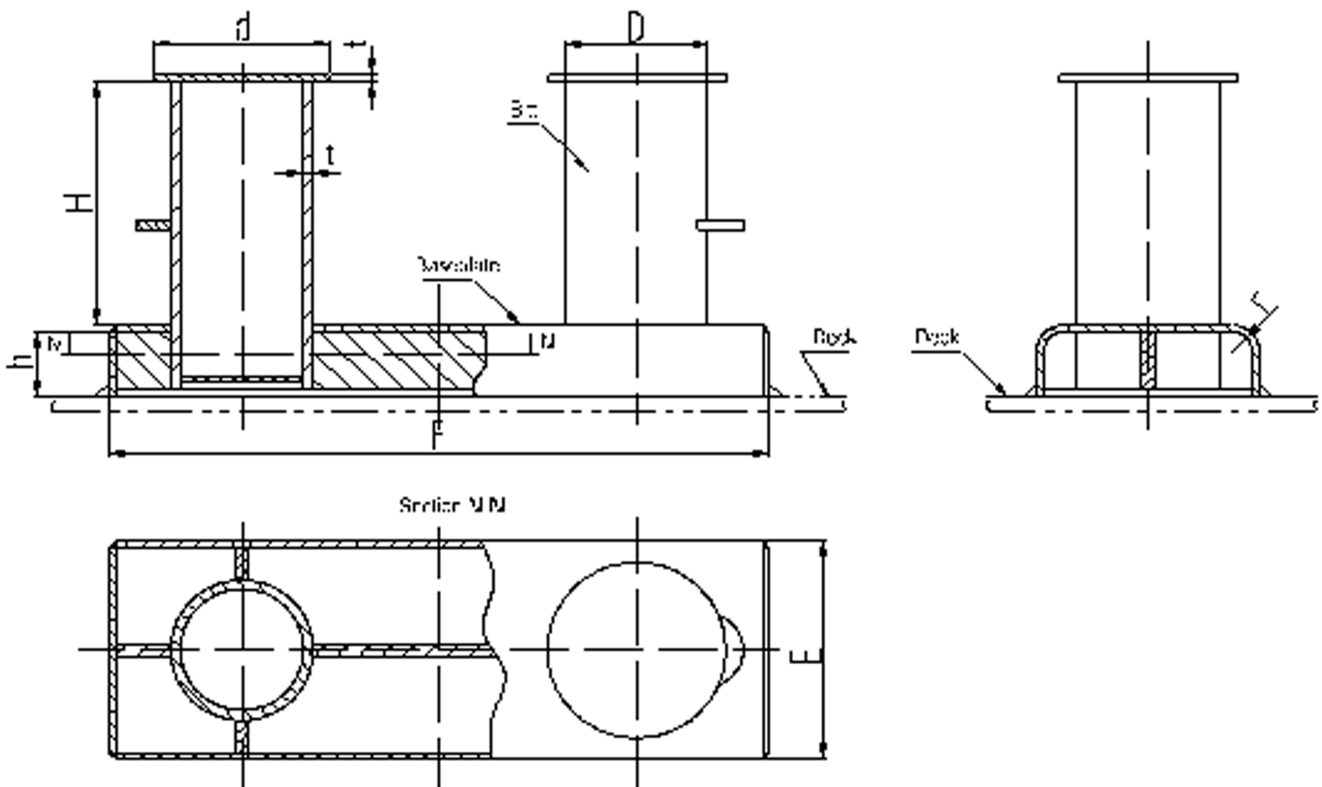
Welded Bollard ISO 3913



Welded Bollard ISO 3913

Welded Bollard ISO 3913

Nominal size Dn	D	t specified		Dimensions (mm)						
		tube	plate	E	F	H	d	h	r	Single rope Max. Loading (P) KN
		410 N/mm ² Min.	410 N/mm ² Min.							
100	114,3	10	10	150	450	160	140	75	8	30
125	139,7	10	10	190	560	200	170	80	8	40
160	168,3	10	10	250	720	260	200	90	8	50
200	219,1	11	10	300	900	310	265	100	10	80
250	273,0	12,5	11	380	1130	392	325	125	14	120
315	323,9	16	15	480	1430	496	395	150	16	200
400	406,4	20	18	600	1800	620	500	175	18	320
500	508,0	22,2	20	750	2250	772	620	200	24	460
630	609,6	28	24	940	2830	940	750	225	26	700
710	711,2	28	25	1050	3200	1050	870	250	28	820
800	813,0	30	26	1200	3600	1200	990	275	32	1000



Marine Equipment Services b.v.

Phone +31 (0)183 50 20 52, Cellphone: +31 (0) 653 266 524, Fax +31 (0)183 50 16 38
E-mail jym@mestrading.com - Internet www.mestrading.com