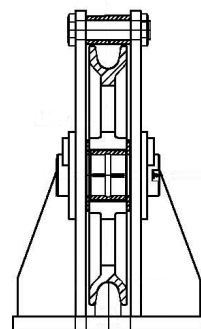
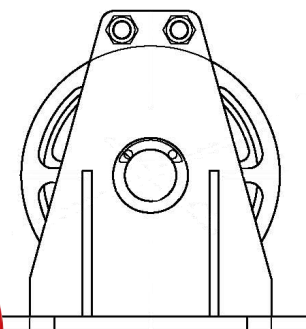




# Vertical Deck Sheaves



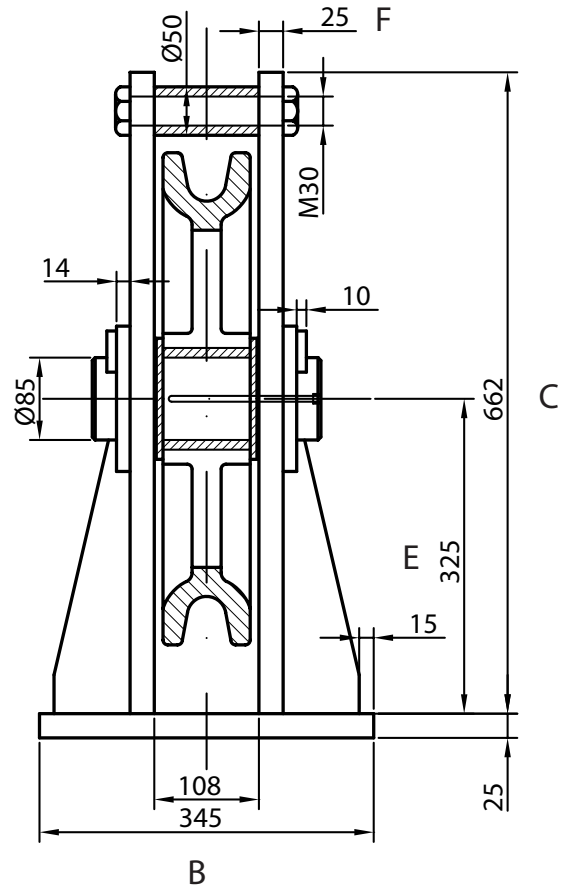
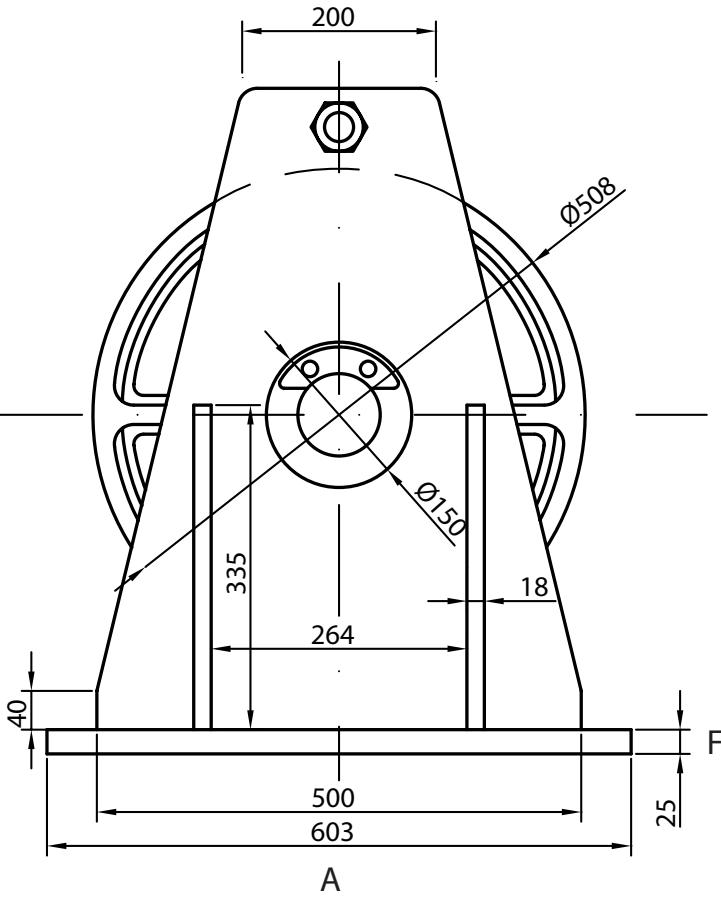
# Vertical Deck Sheaves

DECK SHEAVE FAIRLEAD – MODEL : BD – 24 (VERTICAL TYPE)

Product Code: AE-3515

Wire Size		Sheave	Dimensions					SWL	Mass
(mm)	(inch)	Dia D(mm)	A	B	C	E	F	(KN)	(kgs)
25	1	496	485	276	530	258	20	234	198
32	1 1/4	598	603	345	662	325	25	355	240
38	1 1/2	610	711	407	781	381	30	500	300
45	1 3/4	660	700	416	820	420	30	671	430
52	2	762	903	517	890	432	40	935	680
64	2 1/2	914	940	560	1120	580	40	1414	1050

Remark : Build to withstand breaking strength of indicated rope at 90° sheave wrap on sheave.



**Marine Equipment Services b.v.**

Phone +31 (0)183 50 20 52, Cellphone: +31 (0) 653 266 524, Fax +31 (0)183 50 16 38  
E-mail [jvm@mestrading.com](mailto:jvm@mestrading.com) - Internet [www.mestrading.com](http://www.mestrading.com)