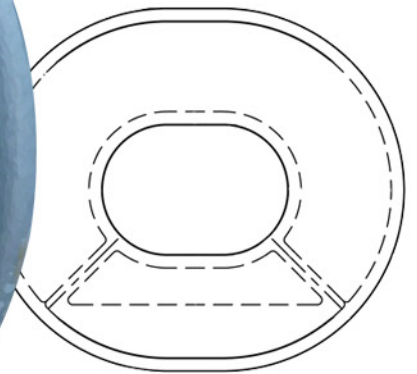


MES

Marine Equipment Services by

# Type A Bulwark Mounted Chock



# Type A Bulwark Mounted Chock

CHOCK – DIN 81915 TYPE A (BULWARK MOUNTED)

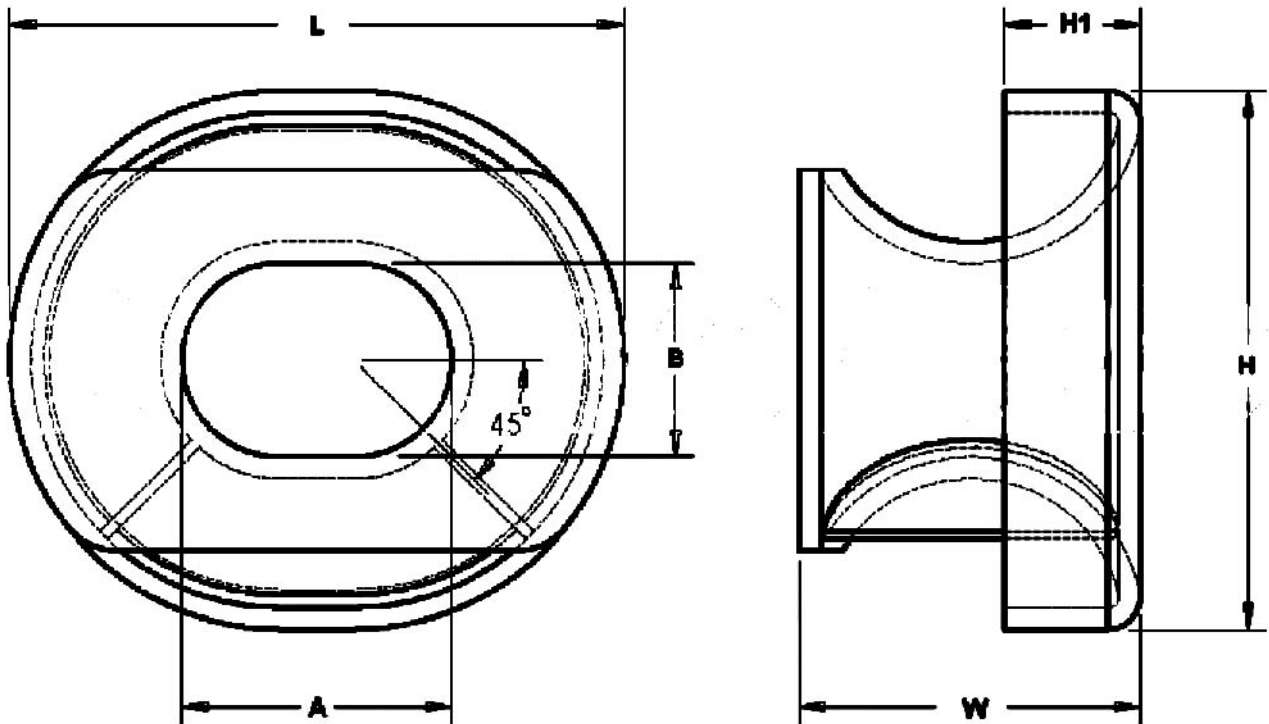
Product Code: AE-2306 (DIN 81915)

Model	SWL (kN)	Weight (kg)	Dimensions (mm)					
			L	W	H	H	1A	B
A2	20	26	360	200	315	70	160	115
A3	30	42	450	250	390	75	200	140
A5	50	74	550	300	480	80	250	180
A8	80	120	680	360	585	90	320	225
A12	125	185	840	440	710	110	400	270
A20	200	285	1020	520	840	130	500	320
A32	320	795	1300	700	1100	150	600	400

Remark : Type A2 – A8 = Single Chock according to Panama Rules.

Type A12 – A32 = Double Chock according to Panama Rules.

## Type A



**Marine Equipment Services b.v.**

Phone +31 (0)183 50 20 52, Cellphone: +31 (0) 653 266 524, Fax +31 (0)183 50 16 38

E-mail [jym@mestrading.com](mailto:jym@mestrading.com) - Internet [www.mestrading.com](http://www.mestrading.com)