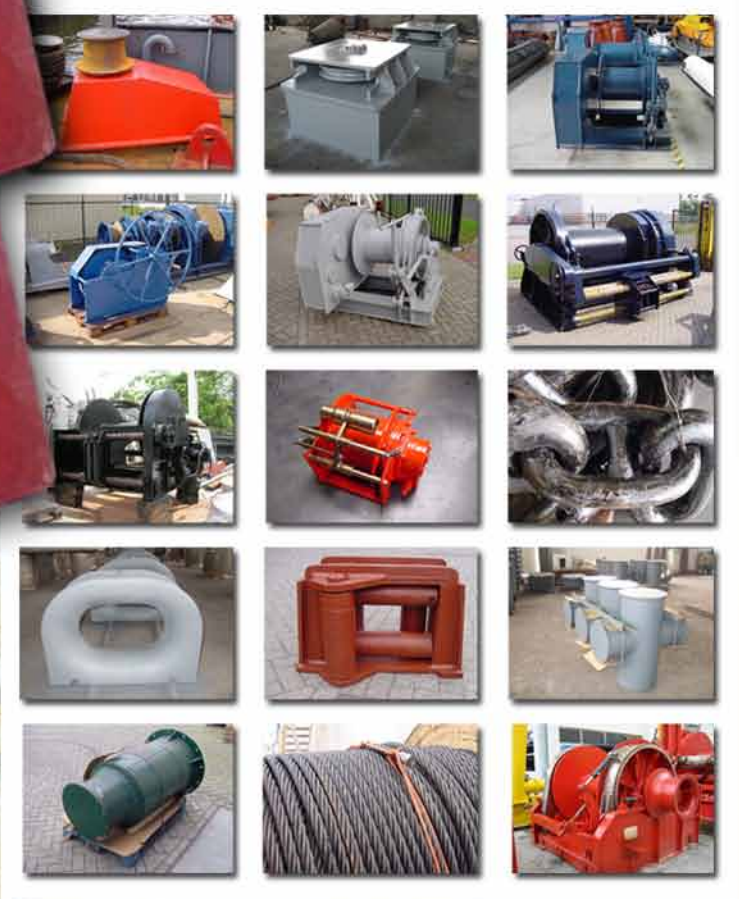
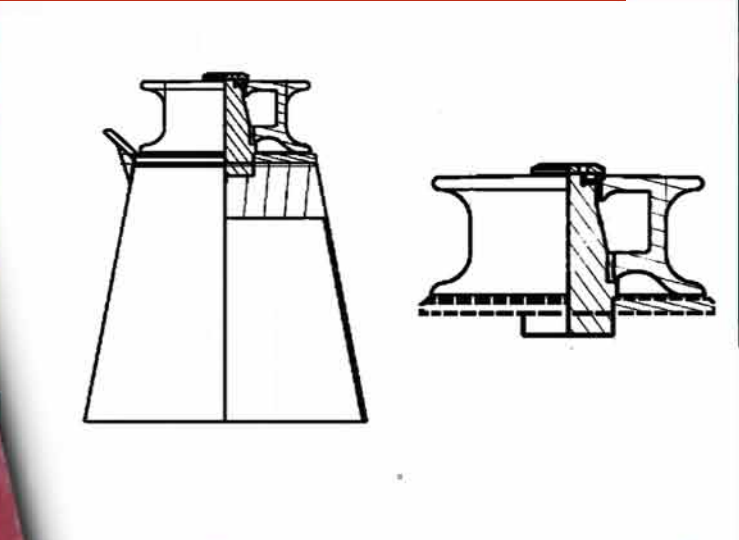


MES



EU Fairlead Rollers

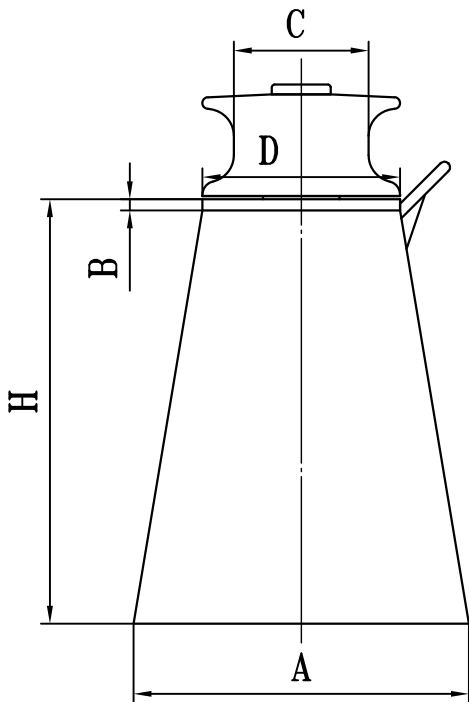


EU Fairlead Rollers

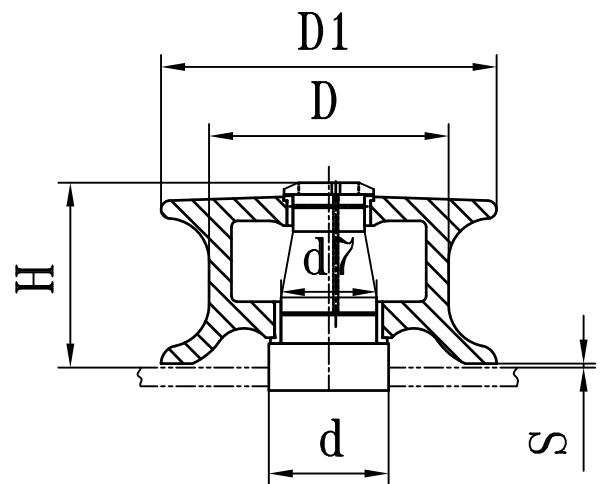
Fairlead Roller - EU Type. Product code: AE-3100

| Nominal Diameter (mm) | Dimensions (mm) | | | | | Mass (kgs) | Breaking Load (Tons) | Dia. of Mooring Line (Reference) | | | |
|-----------------------|-----------------|-----|-----|-----|---|------------|----------------------|----------------------------------|--------|-----------|------------|
| | D ₁ | d | d7 | H | S | | | Wire Rope | | P.P. rope | Hemp. rope |
| | | | | | | | | 6 x 24 | 6 x 37 | | |
| 150 | 240 | 90 | 79 | 154 | 5 | 25 | 13 | 17 | 15 | 32 | 45 |
| 200 | 310 | 115 | 99 | 186 | 5 | 50 | 21 | 22 | 20 | 40 | 55 |
| 250 | 380 | 135 | 119 | 230 | 6 | 92 | 28 | 24 | 24 | 45 | 65 |
| 300 | 440 | 155 | 129 | 255 | 7 | 127 | 42 | 30 | 28 | 50 | 70 |
| 350 | 500 | 175 | 149 | 271 | 7 | 168 | 61 | 38 | 34 | 55 | 75 |
| 400 | 560 | 195 | 159 | 307 | 7 | 252 | 74 | 42 | 40 | 65 | 80 |
| 450 | 630 | 210 | 179 | 316 | 7 | 310 | 90 | 44 | 42 | 80 | --- |

Roller with Conical Base



EU Type



Marine Equipment Services b.v.

Harpstraat 5, 4241 CA ARKEL, The NETHERLANDS

Phone +31 (0)183 50 20 52, Cellphone: +31 (0) 653 266 524, Fax +31 (0)183 50 16 38

E-mail jvm@mestrading.com - Internet www.mestrading.com