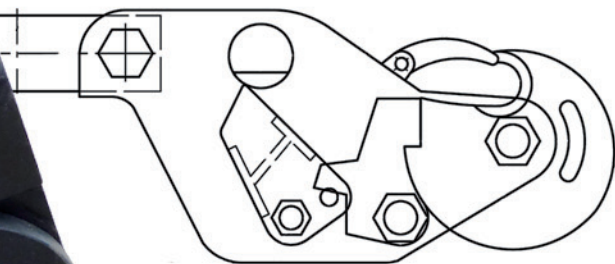


MES



Towing Hooks



Towing Hooks

QUICK RELEASE DISC TYPE TOWING HOOK

The Quick Release Disc Type Towing Hook are specifically designed for towing with nylon and / or other p.p. ropes as well as steel / wire rope.

MES 5/7 and 8/5

Type	SWL	T.L.	R.L.	Wt.	A	B	C	D	E	F	G	H	K	L	M	N
MES 5/7	70	140	70	79	512	712	185	235	100	45	280	291	65	125	60	112
MES 8/15	150	300	150	174	670	905	255	325	140	60	340	377	100	250	65	144

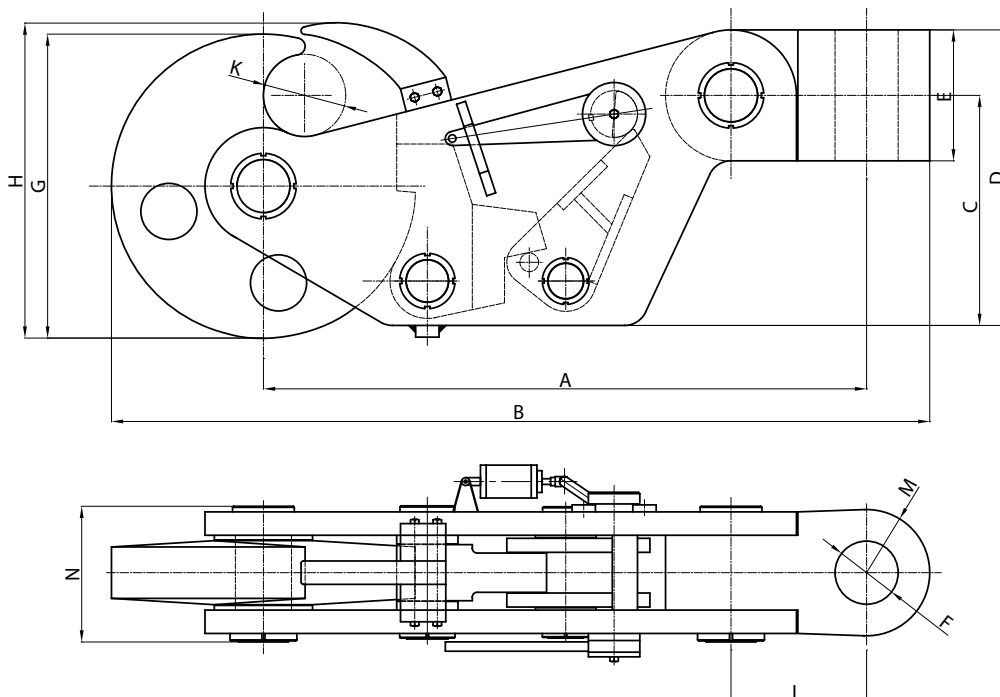
MES 18/25 upto 70/100

Type	SWL	T.L.	R.L.	Wt.	A	B	C	D	E	F	G	H	K	L	M	N
MES18/25	250	500	250	414	923	1238	355	445	180	80	470	490	130	200	81	186
MES 30/45	450	900	450	534	973	1323	355	455	200	100	470	491	130	200	115	218
MES 50/65	650	1300	650	918	1173	1598	454	464	220	110	600	608	162	250	125	256
MES 70/100	1000	1500	1000	1068	1290	1750	492	632	280	135	650	668	176	290	135	288

QUICK RELEASE HARBOUR TYPE TOWING HOOK

The Quick Release Harbour Type Towing Hooks are specifically designed for towing with steel / wire rope.

Type	SWL	T.L.	R.L.	Wt.	A	B	C	D	E	F	G	H	K	L	M	N
MES 015	150	300	150	56	521	571	100	100	150	40	174	316	65	110	50	100
MES 030	300	600	300	156	788	868	160	130	225	60	268	461	96	180	80	125
MES 060	450	900	450	314	1023	1123	200	160	260	80	350	616	130	210	100	148
MES 075	562	1125	562	384	1073	1183	200	180	290	90	350	616	130	250	110	170
MES 100	1000	1500	1000	573	1159	1279	230	200	330	100	400	700	150	250	120	212



Marine Equipment Services b.v.

Phone +31 (0)183 50 20 52, Cellphone: +31 (0) 653 266 524, Fax +31 (0)183 50 16 38
E-mail jym@mestrading.com - Internet www.mestrading.com