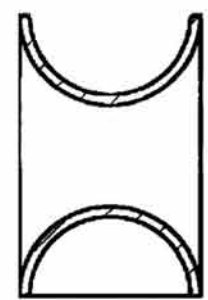
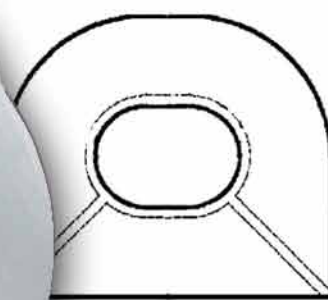


MES



Deck Mounted Panama Chocks

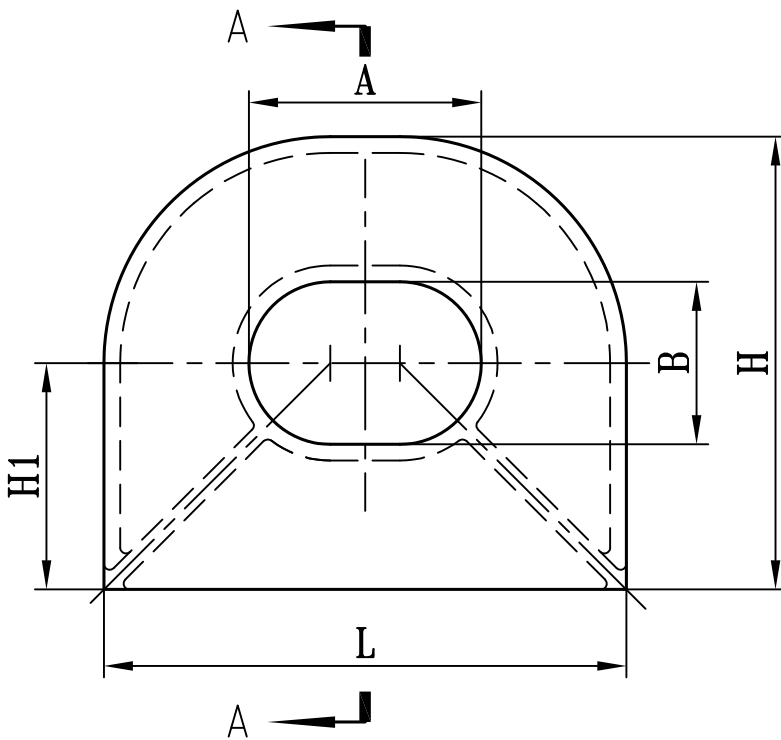


Deck Mounted Panama Chocks

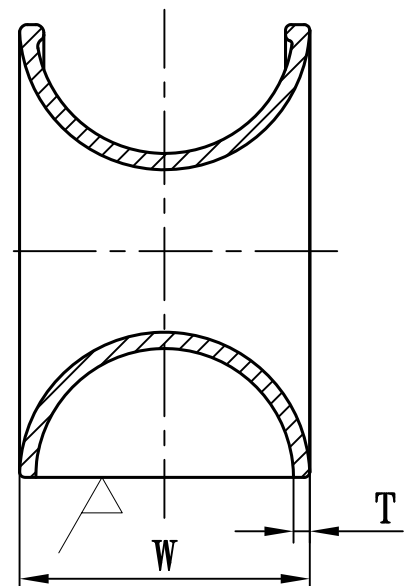
Deck Mounted Panama Chock - DIN 81915 Type C (Deck Mounted). Product code: AE-2308.

Model	SWL (kN)	Dimensions (mm)						Mass (kgs)
		L	W	H	H ₁	1A	B	
C2	20	360	200	316	158	160	115	29
C3	30	450	250	390	195	200	140	48
C5	50	550	300	480	240	250	180	85
C8	80	680	360	586	293	320	225	136
C12	125	840	440	710	355	400	270	211
C20	200	1020	520	840	420	500	320	325
C32	320	1300	700	1100	550	600	400	840

Type C



SECTION A-A



Marine Equipment Services b.v.

Phone +31 (0)183 50 20 52, Cellphone: +31 (0) 653 266 524, Fax +31 (0)183 50 16 38
E-mail jvm@mestrading.com - Internet www.mestrading.com